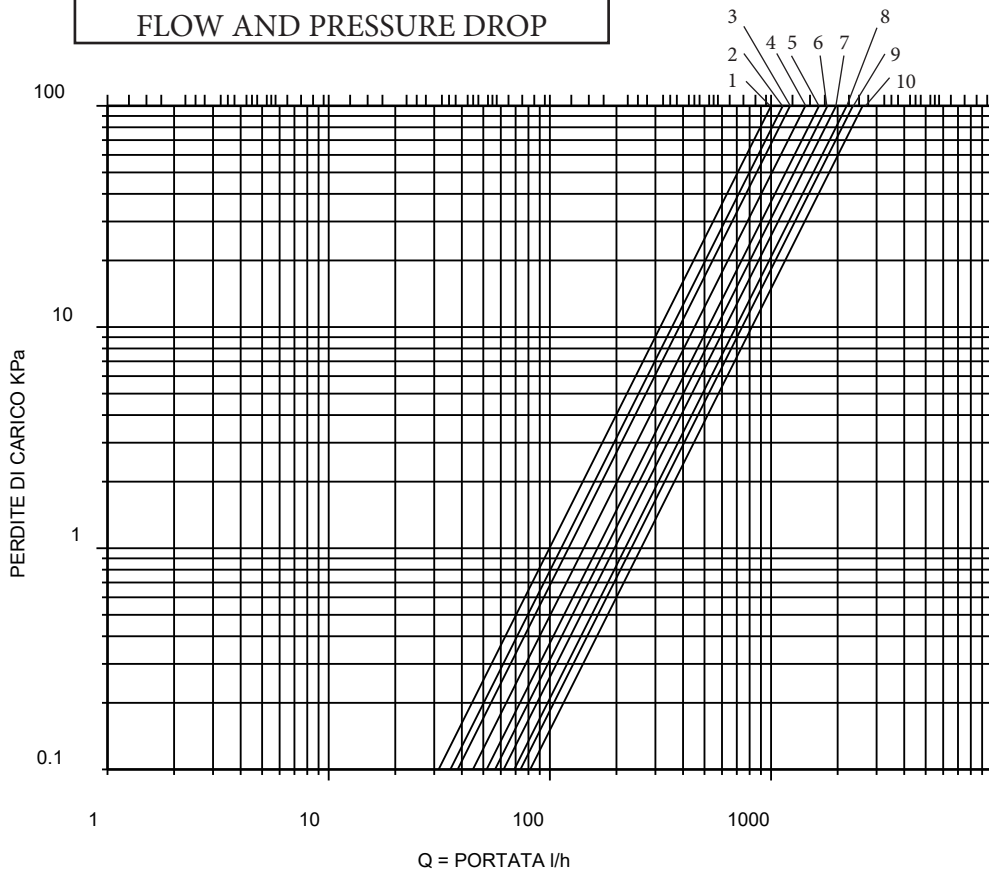


- Valvola H con attacco M per impianti monotubo/bitubo (con bypass regolabile 50-100%) con derivazioni a parete.
- H valve with male connection for single/double pipe systems (with adjustable bypass 50-100%) with wall pipes.
- Ein-/Zweirohr-Hahnblock (mit regelbarer Bypass 50-100%) Eckform mit AG Anschluß.
- Pièce H avec embout mâle pour systèmes monotube/bitube (avec bypass réglable 50-100%) avec dérivations murales.
- H-клапан с наружной резьбой для одно- и двухтрубных систем (с регулируемым бай-пасом 50-100%) с возможностью монтажа в стену



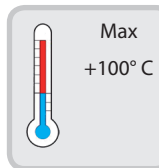
IVR 754

**DIAGRAMMA PERDITE DI CARICO
FLOW AND PRESSURE DROP**

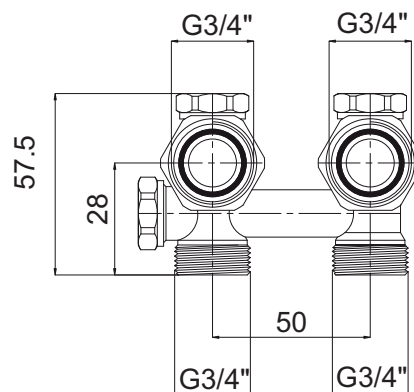


Dati tecnici - Technical data

Pressione massima di esercizio
Max. working pressure **10 bar**



Giri	Kv by pass	Kvs	Rif.
0	0	1	1
1/4	0.13	1.13	2
1/2	0.22	1.22	3
3/4	0.43	1.43	4
1	0.65	1.65	5
1 1/4	0.8	1.8	6
1 1/2	0.97	1.97	7
2	1.2	2.2	8
2.5	1.38	2.38	9
4	1.6	2.6	10



Tutte le caratteristiche tecniche dei prodotti sono soggette a modifiche senza preavviso - All product's technical specifications are subject to modification without prior notice