

AISI 316 TRE PEZZI FF - IVR 665



Valvola a sfera a passaggio totale in tre pezzi in acciaio inox AISI316.
 Attacchi filettati gas F/F - Flangetta ISO 5211.

*AISI316 stainless steel three pieces full bore ball valve.
 Threaded ends F/F - ISO 5211 top for actuator.*

Vanne à sphère à passage integral trois pieces en acier inox AISI316.
 Taraudage pas gaz F/F - Platine ISO 5211.

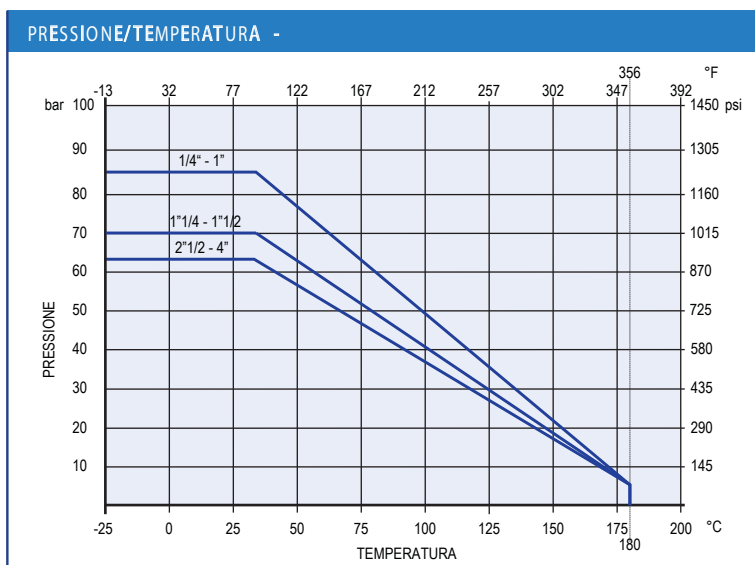
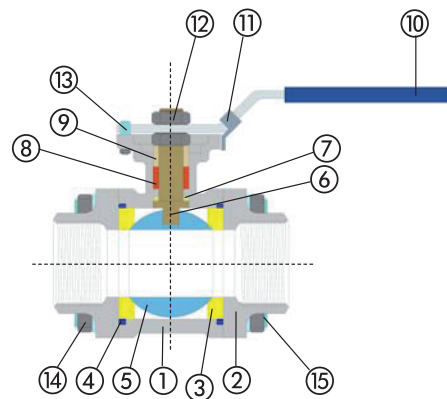
*Kugelhahn mit vollem Durchgang aus Edelstahl AISI316.
 Anschlussgewinde I/I - Flansch ISO 5211.*



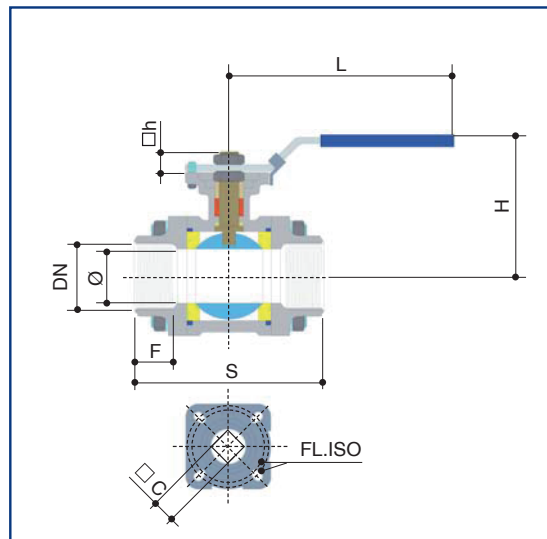
IMPIEGHI: Le valvole a sfera serie 665 sono adatte per impianti industriali, chimici ed alimentari.

APPLICATIONS: The 665 series are suitable for use in industrial, chemical and food plants.

N. N.	DENOMINAZIONE PART NAME	MATERIALE MATERIAL	TRATTAMENTO TREATMENT
1	Corpo - Body	AISI316	
2	Manicotto - Body end	AISI316	
3	Seggio - Seat	PTFE caricato 15% vetro PTFE 15% glassfiber	
4	Guarniz. corpo - Body seal	PTFE	
5	Sfera - Ball	AISI316	
6	Asta - Stem	AISI316	
7	Rondella - Washer	PTFE	
8	Guarn. asta - Stem seat	PTFE	
9	Premistoppa - Packing nut	AISI304	
10	Maniglia - Handle	AISI304	Rivestimento PVC - PVC coated
11	Bloccaggio - Locking	AISI304	
12	Dado - Nut	AISI304	
13	Arresto - Stop pin	AISI304	
14	Dado - Nut	AISI304	
15	Bullone - Bolt	AISI304	



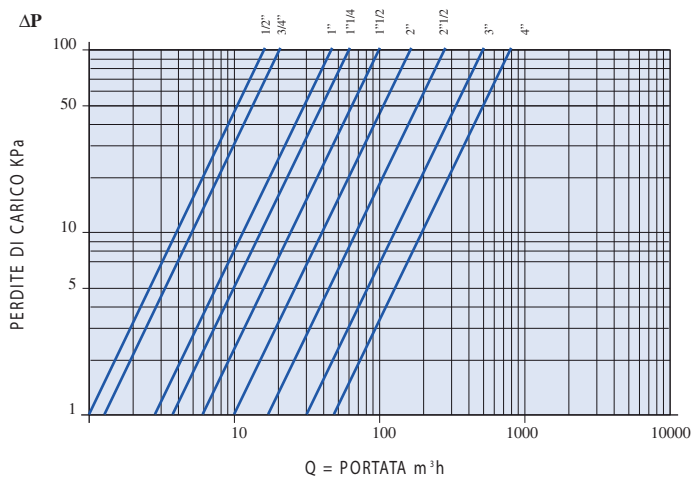
DATI TECNICI - TECHNICAL DATA		
Pressione massima di esercizio Max working pressure	1/4" - 1" 1 1/4" - 1 1/2" 2" - 4"	85 bar 70 bar 60 bar
Temperatura massima di esercizio Max working temperature	-25°C + 180°C	
Filettatura estremità Threaded ends	UNI ISO 7/1 R	
Asta anticoppio Anti blow-out stem		
Asta con testa quadra 45° Stem with square head 45°	ISO5211.73	
A richiesta: On request:	filettatura thread	NPT ANSI B.1.20.1



DN	1/4"	3/8"	1/2"	3/4"	1"	1 1/4"	1 1/2"	2"	2 1/2"	3"	4"
Ø	11	12.7	15	20	25	32	40	50	65	80	100
S	48	48	55	74	81	91	103	120	151	182	220
F	10	11	15	16	19	21	21	25	30	33	39
H	60	60	65	72	75	90	95	105	140	165	170
L	117	117	117	135	140	203	203	203	260	260	280
FL.ISO	F03	F03	F03/04	F04/05	F04/05	F05/07	F05/07	F05/07	F07/10	F07/10	F07/10
□ C	9	9	9	11	11	14	14	14	17	17	17
□ h	8	8	9	11	11	12.5	12.5	12	17	19	20

Dimensioni in mm - Dimensions in mm

DIAGRAMMA PERDITE DI CARICO - FLOW AND PRESSURE DROP








COEFFICIENTE KW - KW FACTOR

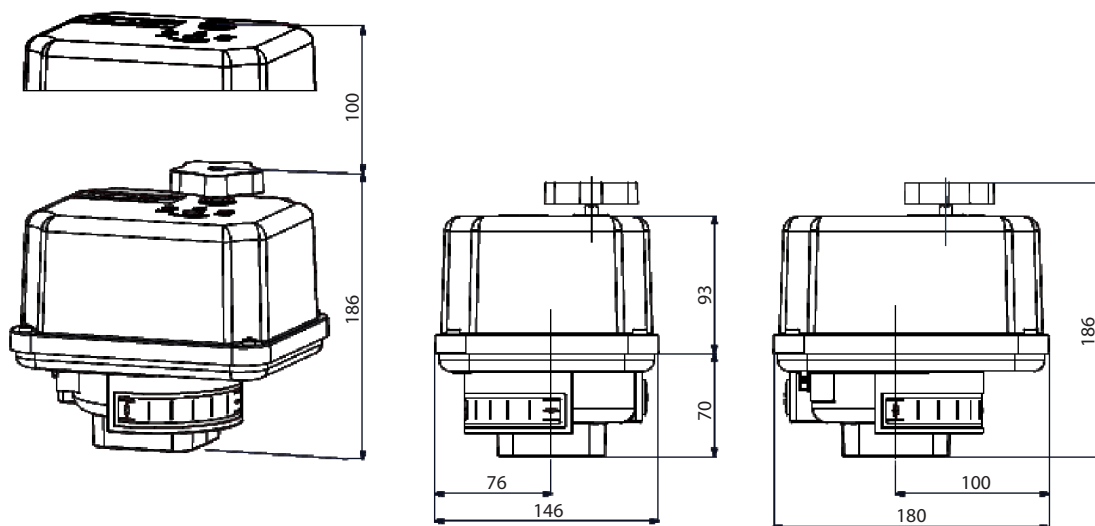
1/4"	15
3/8"	15
1/2"	20
3/4"	45
1"	60
1 1/4"	100
1 1/2"	170
2"	265
2 1/2"	510
3"	790
4"	1230

ATTUATORI ELETTRICI - IVR 272 m - IVR 272 t



-  IVR 272 m - Attuatori elettrici 1/4 di giro - Monofase c.a.
IVR 272 t - Attuatori elettrici 1/4 di giro - Trifase c.a.
-  IVR 272 m - Electrical quarter-turn actuators - 1-phase a.c.
IVR 272 t - Electrical quarter-turn actuators - 3-phase a.c.
-  IVR 272 m - Elektrische Antriebe mit 1/4-Umdrehung - einphasiger Wechselstrom
IVR 272 t - Elektrische Antriebe mit 1/4-Umdrehung - dreiphasiger Wechselstrom
-  IVR 272 m - Actuateurs électriques à 1/4 de tour - Monophasé c.a.
IVR 272 t - Actuateurs électriques à 1/4 de tour - Triphasé c.a.
-  IVR 272 m - Электроприводы на 1/4 оборота – однофазные - переменный ток
IVR 272 t - Электроприводы на 1/4 оборота – трёхфазные - переменный ток

MH-R25/12 MH-R-E25/17



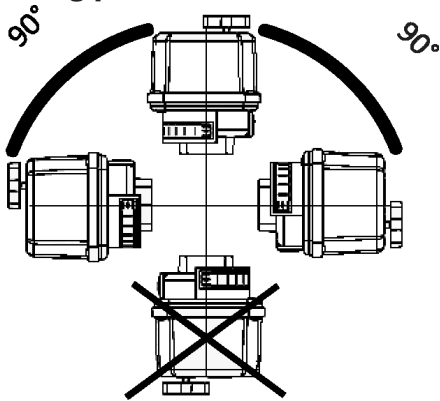
Operating time/90°	17 s (50Hz) - 14 s (60Hz)			9 s
Power supply (V)	230 VAC 1~	*115 VAC 1~	*24 VAC	*24 VDC
Frequency (Hz)	50 / 60	50 / 60	50 / 60	-
Nominal Current (A)	0.08	0.15	0.8	0.6
Max current (A)	0.09	0.18	0.96	1.2
Power consumption (W)	17 / 23	18 / 20	18 / 23	15
Max. torque	25 Nm			
Flange	F04/F07 or F05/F07 according to ISO 5211			
Actuator	Class C according to EN 15714-2			
Standard equipment				
Duty cycle IEC 60034-1.8	S2 - 20 min, S3/S4 1200 c/h - 25% ED at 25°C			
Ambient temperature (°C)	-25°C to + 70°C			
Motor protection	Thermo switch			Multifuse
Add'l position switches 2WE	2 additional position switches included (changeover contact) ampacity: 1 A inductive, 3 A ohmic; max. voltage: 250 VAC			
Drive bush	17 mm double square			
Overvoltage category	II			

- * 24 Volt - 115 Volt disponibile su richiesta
- * 24 Volt - 115 Volt available on request
- * 24 Volt - 115 Volt erhältlich auf Anfrage
- * 24 Volt - 115 Volt Disponible sur demande
- * 24 Volt - 115 Volt под заказ

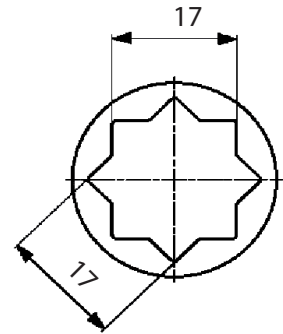
Ed. 12/16

Tutte le caratteristiche tecniche dei prodotti sono soggette a modifiche senza preavviso - All product's technical specifications are subject to modification without prior notice

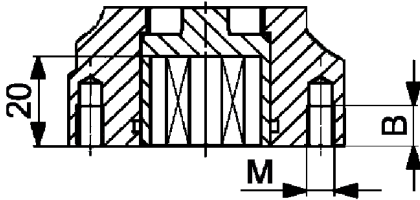
Mounting position



Double square drive



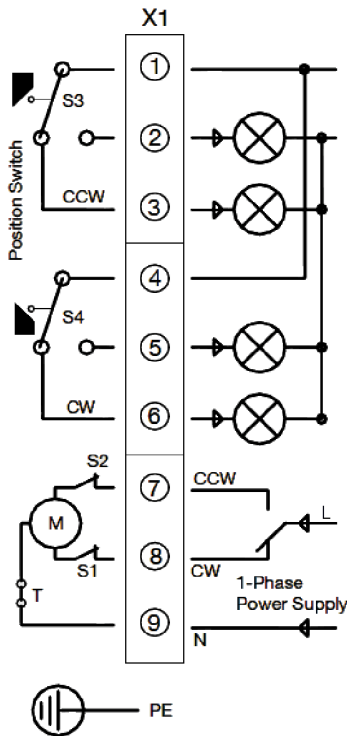
ISO Flange



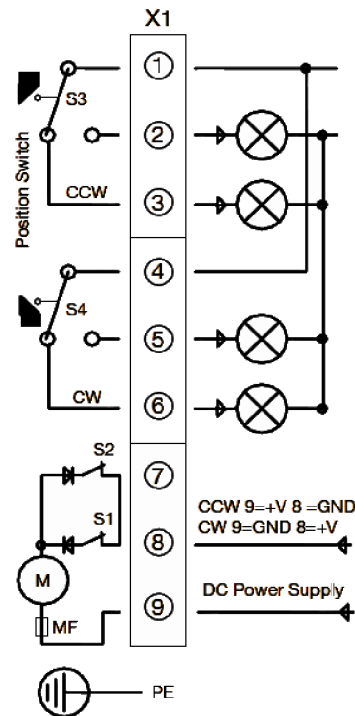
ISO 5211	F04/F07	F05/F07
M	M 5 / M 8	M 6 / M 8
B	8 / 12 mm	9 / 12 mm

Electric wiring diagram

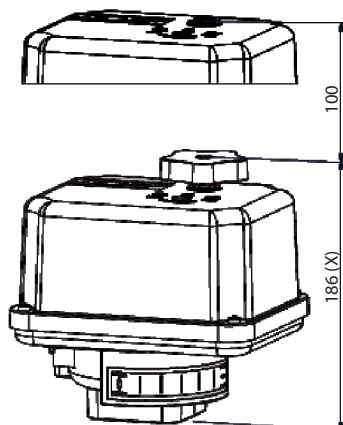
230,115,24 VAC 1 ~



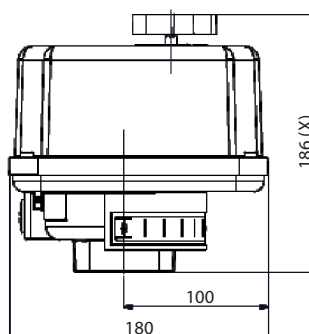
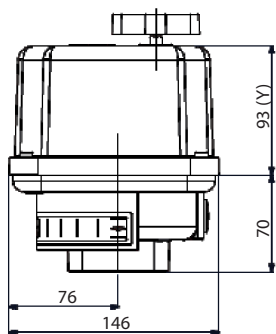
24 VDC



MH-R45/30 MH-R45/5 MH-R-E50/33



MH-R45/5 - 6 s : X=251 Y=123



Operating time/90° 6 s (50Hz) - 5 s (60Hz)

Power supply (V)	230 VAC 1~	*115 VAC 1~	*24 VAC	400 V 3~	
Frequency (Hz)	50 / 60	50 / 60	50 / 60	50 / 60	
Nominal Current (A)	0.17	0.34	1.6	0.08	
Max current (A)	0.2	0.41	1.9	0.13	
Power consumption (W)	39	39	39	55	

Operating time/90° 33 s (50Hz) - 28 s (60Hz)

16 s

Power supply (V)	230 VAC 1~	*115 VAC 1~	*24 VAC		*24 VDC
Frequency (Hz)	50 / 60	50 / 60	50 / 60		-
Nominal Current (A)	0.05	0.13	0.6		0.6
Max current (A)	0.06	0.15	0.73		1.2
Power consumption (W)	13	15	15		15

Operating time/90° 80 s (50Hz) - 67 s (60Hz)

Power supply (V)	230 VAC 1~	*115 VAC 1~	*24 VAC		
Frequency (Hz)	50 / 60	50 / 60	50 / 60		
Nominal Current (A)	0.03	0.07	0.33		
Max current (A)	0.04	0.08	0.4		
Power consumption (W)	8	8	8		

Max. torque 50 Nm

Flange F04/F07 or F05/F07 according to ISO 5211

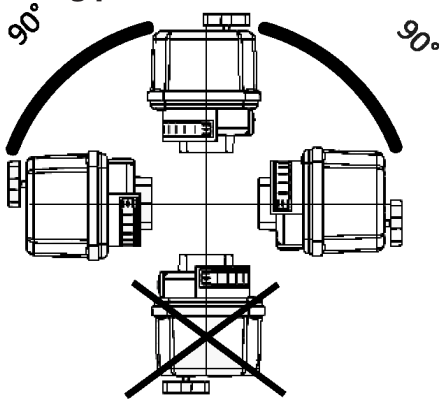
Actuator Class C according to EN 15714-2

Standard equipment

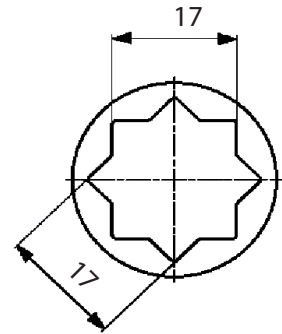
Duty cycle IEC 60034-1.8	S2 - 20 min, S3/S4 1200 c/h - 25% ED at 25°C	
Ambient temperature (°C)	-25°C to + 70°C	
Motor protection	Thermo switch	Multifuse
Add'l position switches 2WE	2 additional position switches included (changeover contact) ampacity: 1 A inductive, 3 A ohmic; max. voltage: 250 VAC	
Drive bush	17 mm double square	
Overvoltage category	II	

- * 24 Volt - 115 Volt disponibile su richiesta
- * 24 Volt - 115 Volt available on request
- * 24 Volt - 115 Volt erhältlich auf Anfrage
- * 24 Volt - 115 Disponible sur demande
- * 24 Volt - 115 Volt под заказ

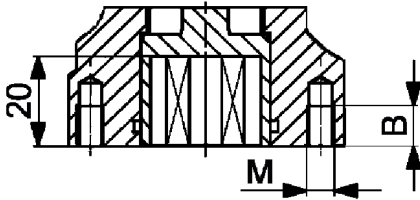
Mounting position



Double square drive



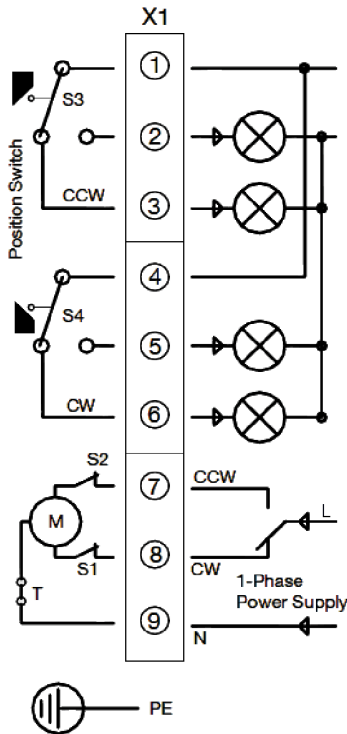
ISO Flange



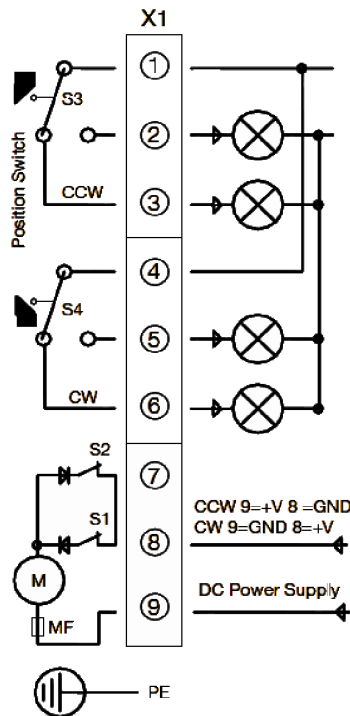
ISO 5211	F04/F07	F05/F07
M	M 5 / M 8	M 6 / M 8
B	8 / 12 mm	9 / 12 mm

Electric wiring diagram

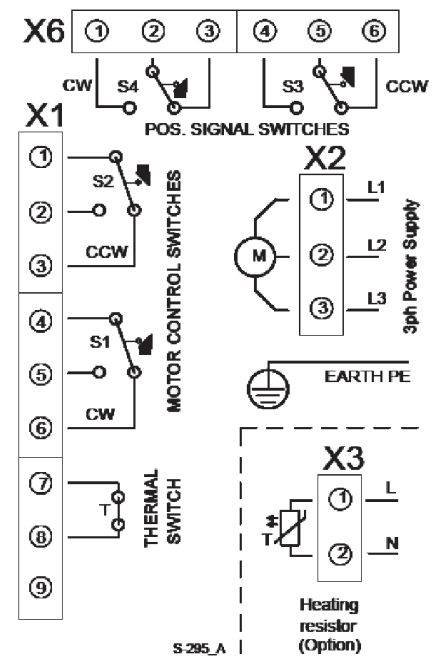
230,115,24 VAC 1 ~



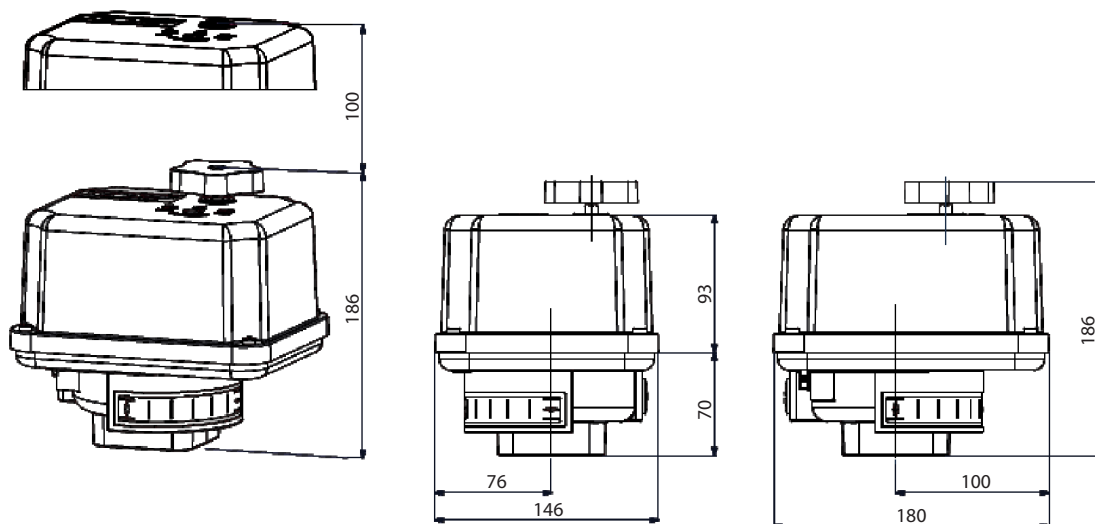
24 VDC



400 VAC



MH-Q52/22
MH-Q67/32
MH-Q77/60

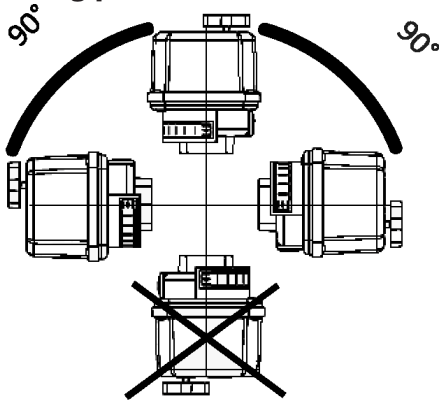


Operating time/90°	23 s (50Hz) - 19 s (60Hz)				32 s
Power supply (V)	230 VAC 1~	*115 VAC 1~	*24 VAC 1~	400 VAC 3~	*24 VDC
Frequency (Hz)	50 / 60	50 / 60	50 / 60	50 / 60	-
Nominal Current (A)	0.12	0.23	1.1	0.065 ¹	1.3
Max current (A)	0.14	0.28	1.3	0.075 ¹	2.5
Power consumption (W)	27	27	27	45	31
Max. torque	100 Nm				
Flange	F05 or F07 according to ISO 5211				
Actuator	Class C according to EN 15714-2				
Standard equipment					
Duty cycle IEC 60034-1.8	S2 - 30 min, S3/S4 1200 c/h - 25% ED at 25°C				
Ambient temperature (°C)	-25°C to + 70°C				
Motor protection	Thermo switch				Multifuse
Add'l position switches 2WE	2 additional position switches included (changeover contact) ampacity: 1 A inductive, 3 A ohmic; max. voltage: 250 VAC				
Drive bush	22 mm double square				
Overvoltage category	II				

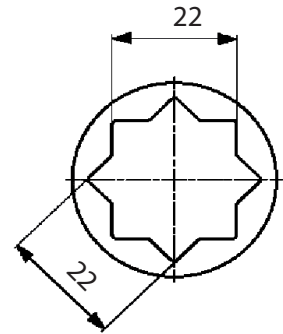
* 24 Volt - 115 Volt disponibile su richiesta
 * 24 Volt - 115 Volt available on request
 * 24 Volt - 115 Volt erhältlich auf Anfrage
 * 24 Volt - 115 Disponible sur demande
 * 24 Volt - 115 Volt под заказ

¹ per phase

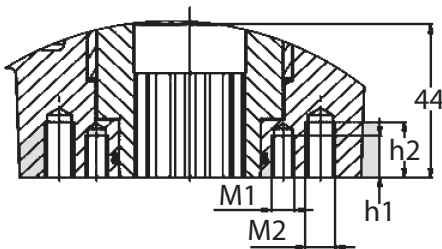
Mounting position



Double square drive



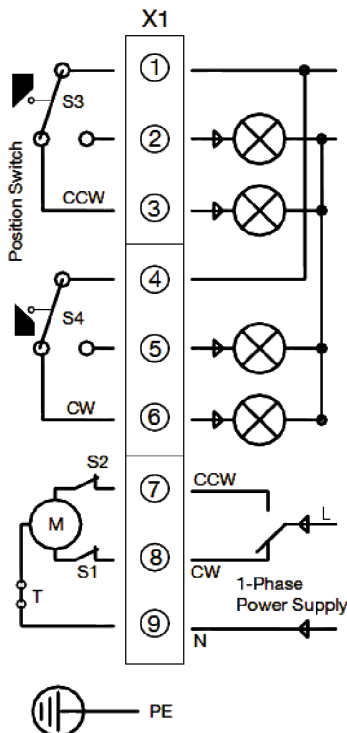
ISO Flange



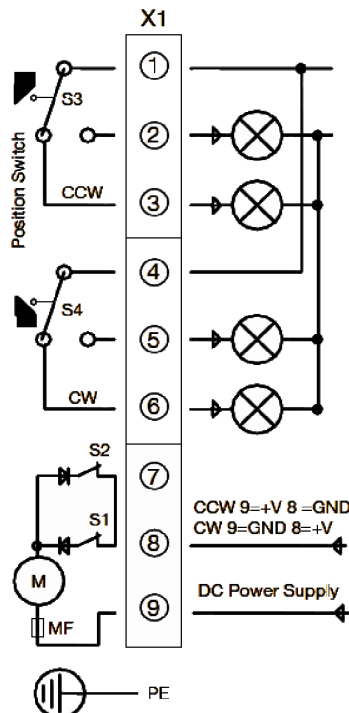
ISO 5211	F05	F07
M1	M6	-
M2	-	M8
h1	12	-
h2	-	16

Electric wiring diagram

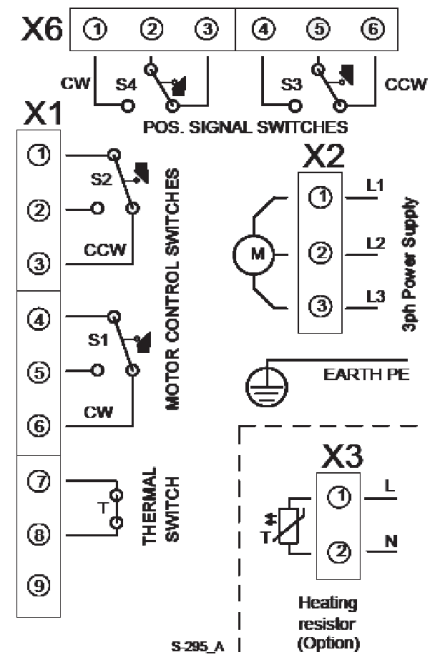
230,115,24 VAC 1 ~



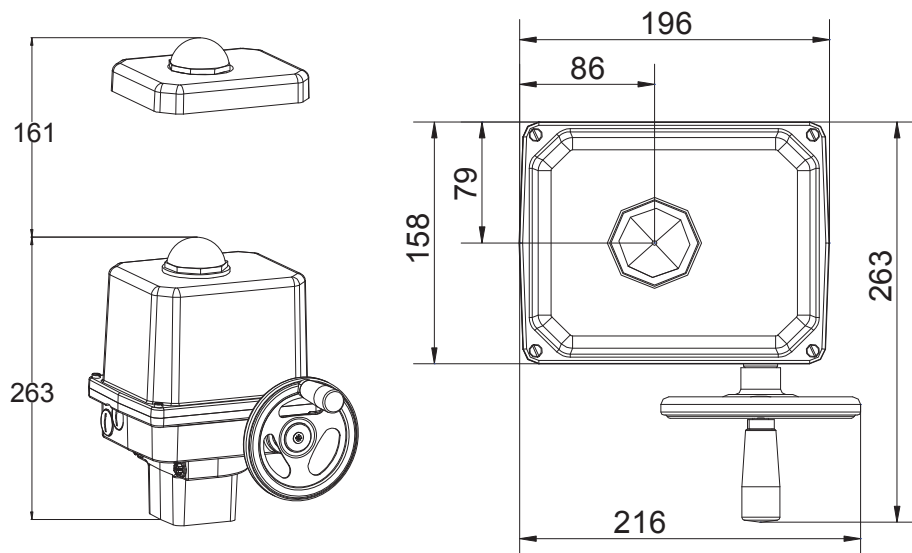
24 VDC



400 VAC



MH-Q102/32



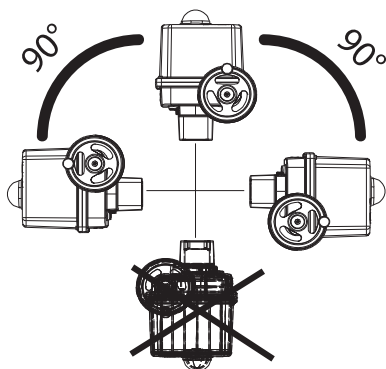
Operating time/90°	32 s (50Hz) - 27 s (60Hz)					32 s
Power supply (V)	230 VAC 1~	*115 VAC 1~	*24 VAC 1~	400 VAC 3~	*24 VDC	
Frequency (Hz)	50 / 60	50 / 60	50 / 60	50 / 60	-	
Rated Current (A)	0.27/0.23	0.57/0.05	2.7/2.3	0.12	1.3	
Max current (A)	0.33/0.28	0.68/0.60	3.3/2.8	0.15	2.5	
Power consumption (W)	62/53	64/55	62/52	51	31	
Switching torque ¹	130 Nm					
Flange	F05 + F07 according to ISO 5211					
Modulating actuator	Class C according to EN 15714-2					
Standard equipment						
Duty cycle IEC 60034-1	S2 - 30 min / S4 50% ED - 1200 c/h					
Ambient temperature (°C)	-20°C to +80°C (S2) / -20°C to +60°C (S4)					
Motor protection	Thermo switch ²				Multifuse	
Overvoltage category	II					

* 24 Volt - 115 Volt disponibile su richiesta
 * 24 Volt - 115 Volt available on request
 * 24 Volt - 115 Volt erhältlich auf Anfrage
 * 24 Volt - 115 Disponibile sur demande
 * 24 Volt - 115 Volt под заказ

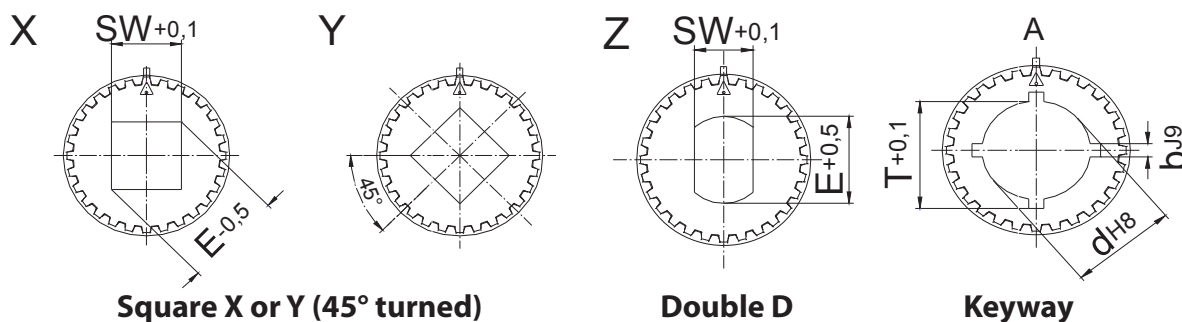
¹ 65 Nm modulating torque

² Thermo switch must be wired externally at 400 VAC 3~

Mounting position



Drive bush



Square X or Y

SW (mm)	10	11	12	14	16	17	22
---------	----	----	----	----	----	----	----

Double D

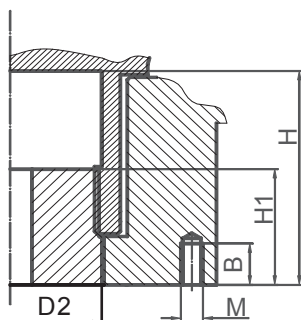
SW (mm)	9	11	14	17
E (mm)	12.1	14.1	18.1	22.2

Keyway

(DIN 6885/1-J9)

d (mm)	10	12	14	16	18	20	22	23	24	25
b (mm)	3	4	5	5	6	6	6	8	8	8

ISO Flange



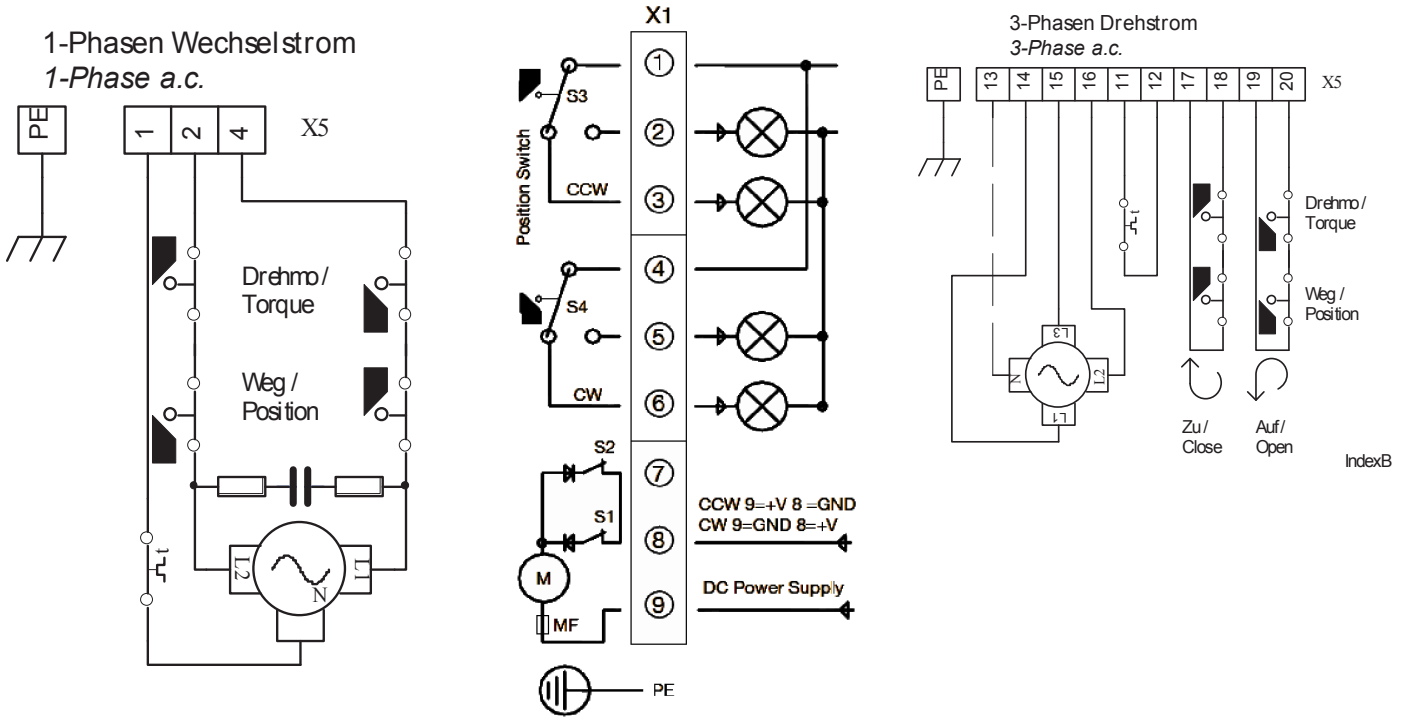
ISO 5211	F05	F07
D2	38	44
H	44	44
h1	35	35
M	M6	M8
B	12	16

Electric wiring diagram

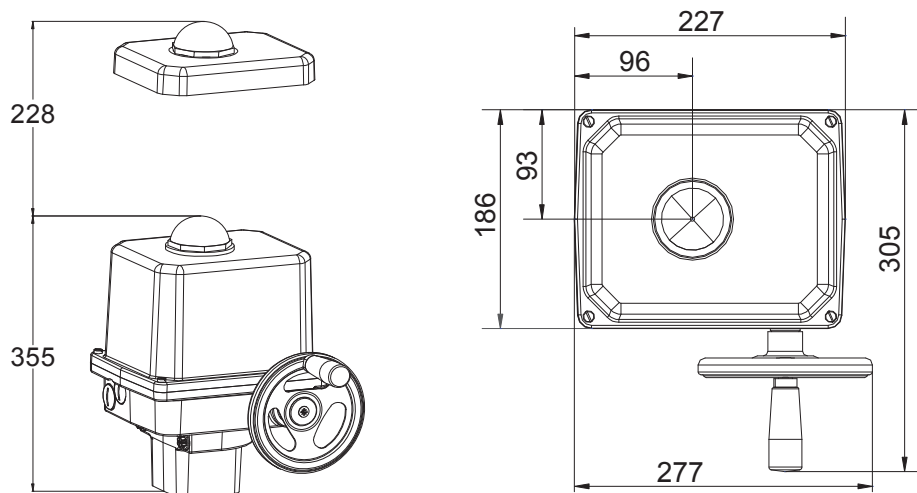
230,115,24 VAC 1 ~

24 VDC

400 VAC



MH-Q202/69



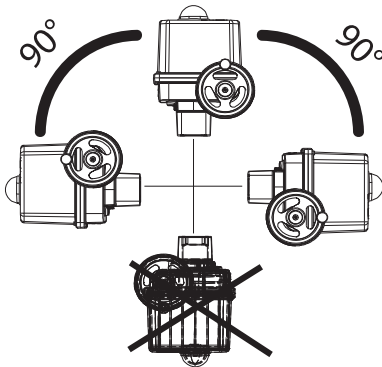
Operating time/90°	69 s (50Hz) - 57 s (60Hz)				60 s
Power supply (V)	230 VAC 1~	*115 VAC 1~	*24 VAC 1~	400 VAC 3~	*24 VDC
Frequency (Hz)	50 / 60	50 / 60	50 / 60	50 / 60	-
Rated Current (A)	0.27	0.57	2.7	0.12	1.3
Max current (A)	0.33	0.68	3.3	0.15	2.5
Power consumption (W)	62	64	64	51	30
Switching torque ¹	250 Nm				
Flange	F07 + F10 according to ISO 5211				
Modulating actuator	Class C according to EN 15714-2				
Standard equipment					
Duty cycle IEC 60034-1	S2 - 30 min / S4 50% ED - 1200 c/h				
Ambient temperature (°C)	-20°C to +80°C (S2) / -20°C to +60°C (S4)				
Motor protection	Thermo switch ²				Multifuse
Overvoltage category	II				

* 24 Volt - 115 Volt disponibile su richiesta
 * 24 Volt - 115 Volt available on request
 * 24 Volt - 115 Volt erhältlich auf Anfrage
 * 24 Volt - 115 Disponible sur demande
 * 24 Volt - 115 Volt под заказ

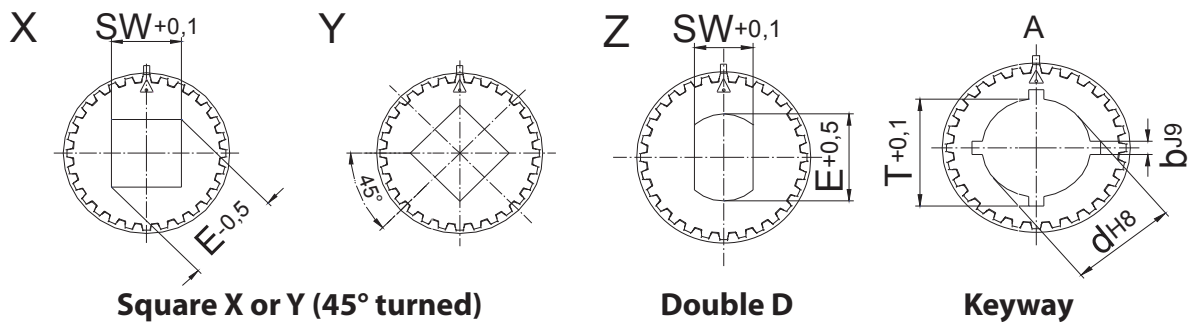
¹ 115 Nm modulating torque

² Thermo switch must be wired externally at 400 VAC 3~

Mounting position



Drive bush



Square X or Y (45° turned)

Double D

Keyway

Square X or Y

SW (mm)	10	11	12	14	16	17	22
---------	----	----	----	----	----	----	----

Double D

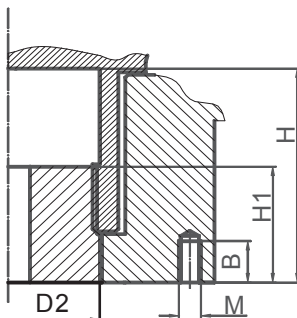
SW (mm)	9	11	14	17
E (mm)	12.1	14.1	18.1	22.2

Keyway

(DIN 6885/1-J9)

d (mm)	10	12	14	16	18	20	22	23	24	25
b (mm)	3	4	5	5	6	6	6	8	8	8

ISO Flange



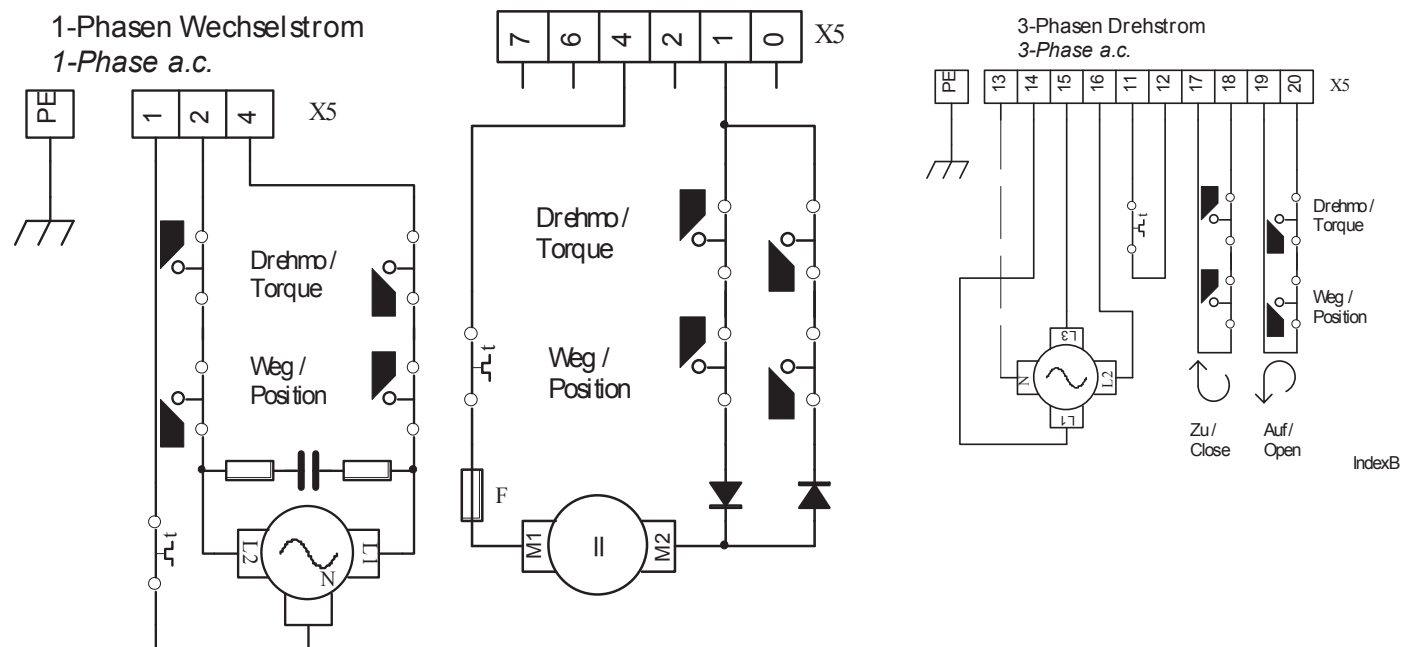
ISO 5211	F07	F10
D2	47	47
H	60	60
h1	35	35
M	M8	M10
B	16	20

Electric wiring diagram

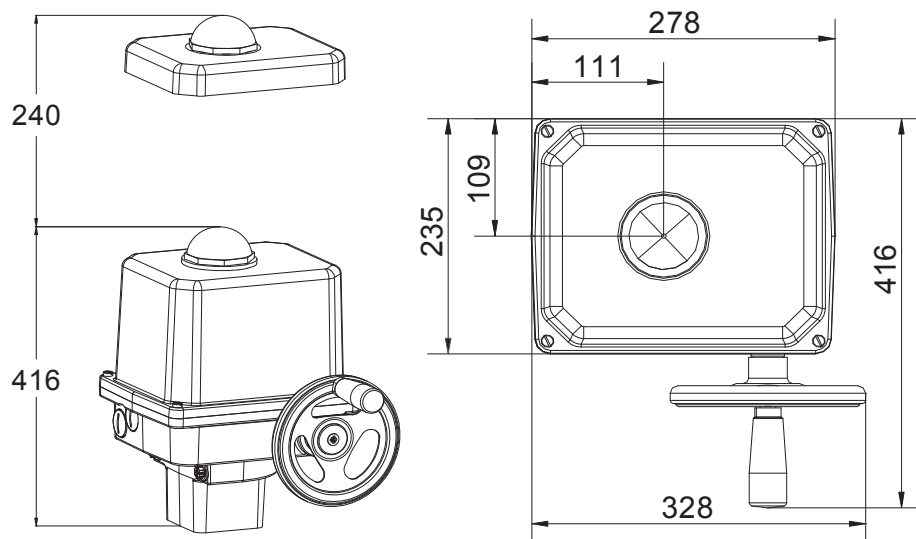
230,115,24 VAC 1 ~

24 VDC

400 VAC



MH-Q502/93



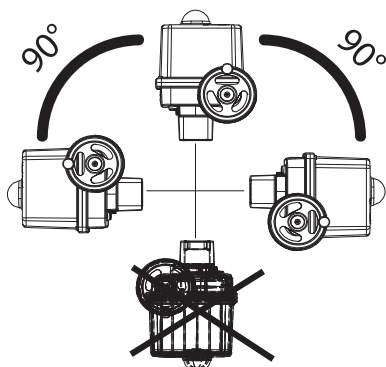
Operating time/90°		93 s (50Hz) - 77 s (60Hz)			
Power supply (V)	230 VAC 1~	*115 VAC 1~	*24 VAC 1~	400 VAC 3~	
Frequency (Hz)	50 / 60	50 / 60	50 / 60	50 / 60	
Rated Current (A)	0.37	0.87	3.5	0.18	
Max current (A)	0.44	1.0	4.2	0.22	
Power consumption (W)	83	98	82	75	
Switching torque ¹	500 Nm				
Flange	F10 or F12 according to ISO 5211				
Modulating actuator	Class C according to EN 15714-2				
Standard equipment					
Duty cycle IEC 60034-1	S2 - 15 min / S4 50% ED - 1200 c/h				
Ambient temperature (°C)	-20°C to +80°C (S2) / -20°C to +60°C (S4)				
Motor protection	Thermo switch ²				
Overvoltage category	II				

- * 24 Volt - 115 Volt disponibile su richiesta
- * 24 Volt - 115 Volt available on request
- * 24 Volt - 115 Volt erhältlich auf Anfrage
- * 24 Volt - 115 Volt Disponible sur demande
- * 24 Volt - 115 Volt под заказ

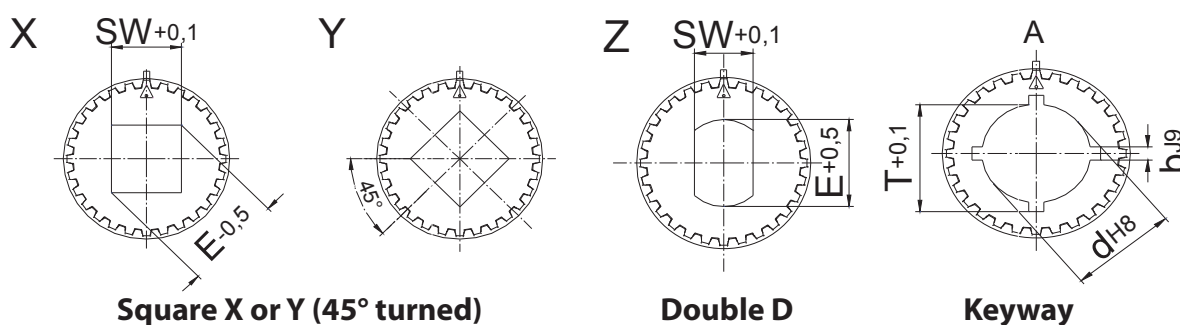
¹ 250 Nm modulating torque

² Thermo switch must be wired externally at 400 VAC 3~

Mounting position



Drive bush



Square X or Y

SW (mm)	10	11	12	14	16	17	22
---------	----	----	----	----	----	----	----

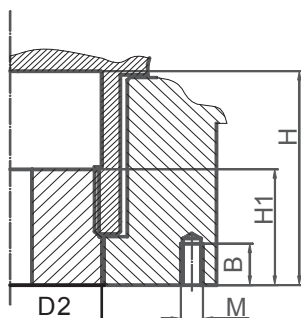
Double D

SW (mm)	9	11	14	17
E (mm)	12.1	14.1	18.1	22.2

Keyway (DIN 6885/1-J9)

d (mm)	10	12	14	16	18	20	22	23	24	25
b (mm)	3	4	5	5	6	6	6	8	8	8

ISO Flange



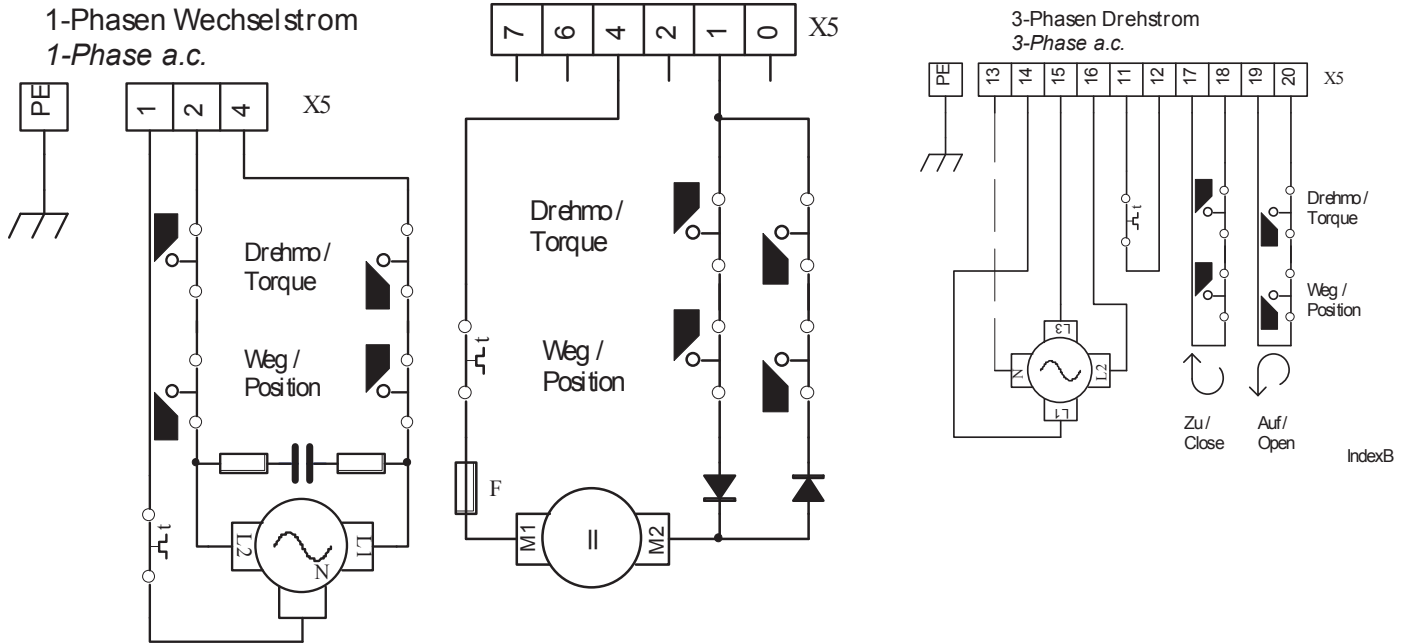
ISO 5211	F10	F12
D2	66	66
H	80	80
h1	48	48
M	M10	M12
B	18	18

Electric wiring diagram

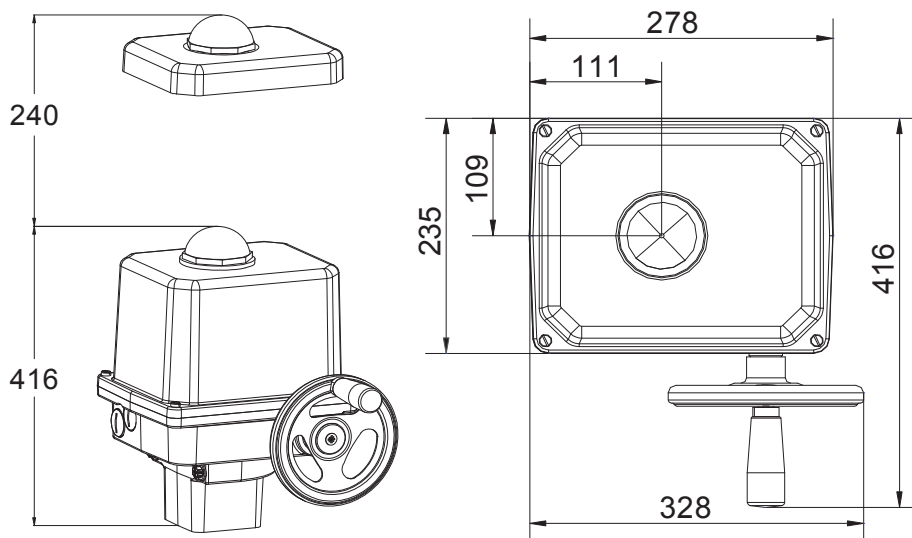
230,115,24 VAC 1 ~

24 VDC

400 VAC



MH-Q702/93



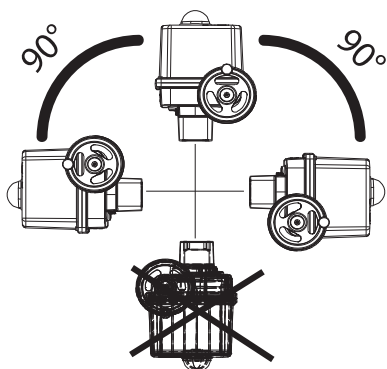
Operating time/90°		93 s (50Hz) - 77 s (60Hz)			
Power supply (V)	230 VAC 1~	*115 VAC 1~	*24 VAC 1~	400 VAC 3~	
Frequency (Hz)	50 / 60	50 / 60	50 / 60	50 / 60	
Rated Current (A)	0.37	0.07	3.5	0.18	
Max current (A)	0.44	0.08	4.2	0.22	
Power consumption (W)	83	98	82	83	
Switching torque ¹	700 Nm				
Flange	F10 or F12 according to ISO 5211				
Modulating actuator	Class C according to EN 15714-2				
Standard equipment					
Duty cycle IEC 60034-1	S2 - 30 min / S4 50% ED - 1200 c/h				
Ambient temperature (°C)	-20°C to + 80°C (S2) / -20°C to +60°C (S4)				
Motor protection	Thermo switch ²				
Overvoltage category	II				

* 24 Volt - 115 Volt disponibile su richiesta
 * 24 Volt - 115 Volt available on request
 * 24 Volt - 115 Volt erhältlich auf Anfrage
 * 24 Volt - 115 Disponible sur demande
 * 24 Volt - 115 Volt под заказ

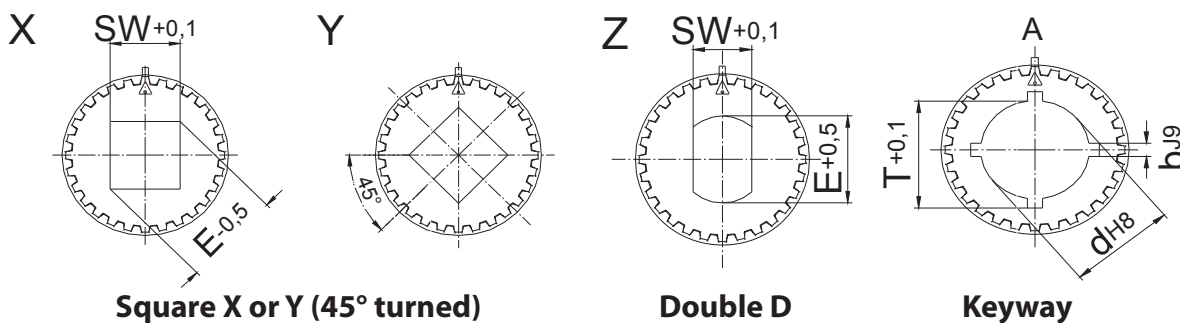
¹ 350 Nm modulating torque

² Thermo switch must be wired externally at 400 VAC 3~

Mounting position



Drive bush



Square X or Y (45° turned)

Double D

Keyway

Square X or Y

SW (mm)	10	11	12	14	16	17	22
---------	----	----	----	----	----	----	----

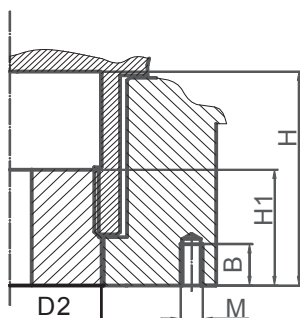
Double D

SW (mm)	9	11	14	17
E (mm)	12.1	14.1	18.1	22.2

Keyway (DIN 6885/1-J9)

d (mm)	10	12	14	16	18	20	22	23	24	25
b (mm)	3	4	5	5	6	6	6	8	8	8

ISO Flange



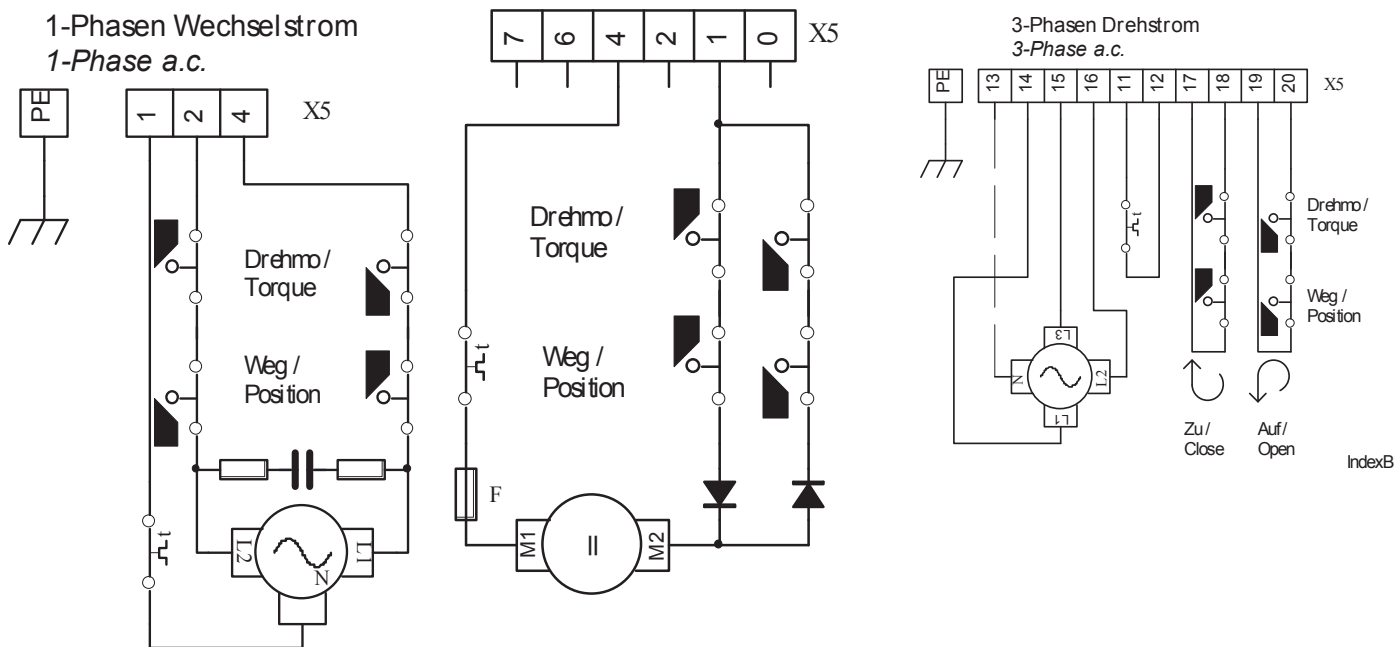
	ISO 5211	F10	F12
D2	66	66	66
H	80	80	80
h1	48	48	48
M	M10	M12	M12
B	18	18	18

Electric wiring diagram

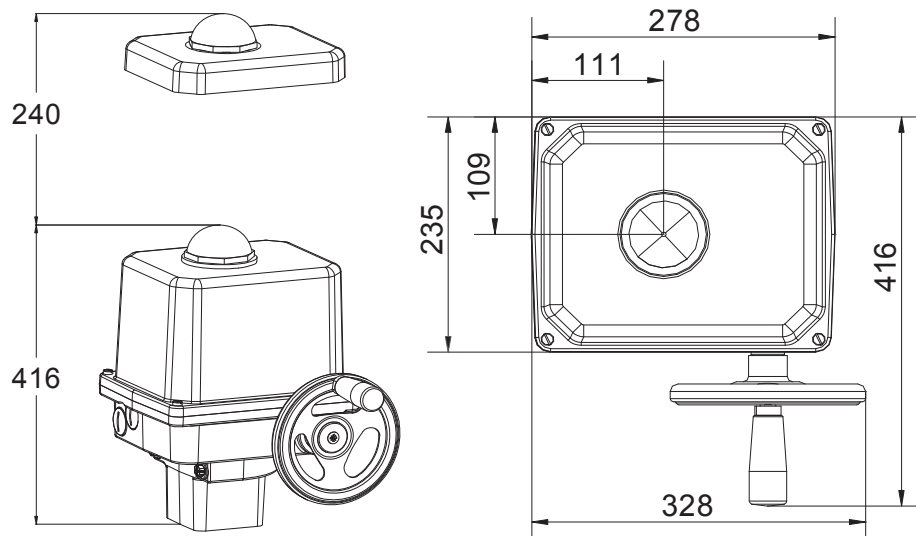
230,115,24 VAC 1 ~

24 VDC

400 VAC



MH-Q1002/93



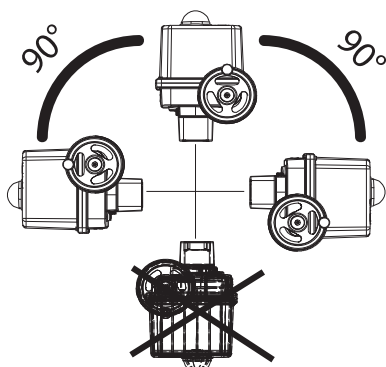
Operating time/90°	93 s (50Hz) - 77 s (60Hz)				120 s
Power supply (V)	230 VAC 1~	*115 VAC 1~	*24 VAC 1~	400 VAC 3~	24 VDC
Frequency (Hz)	50 / 60	50 / 60	50 / 60	50 / 60	-
Rated Current (A)	0.7	1.4	6	0.23	4
Max current (A)	1.3	2.6	8	0.27	8
Power consumption (W)	160	160	140	107	100
Switching torque ¹	1000 Nm				
Flange	F12 or F14 according to ISO 5211				
Modulating actuator	Class C according to EN 15714-2				
Standard equipment					
Duty cycle IEC 60034-1	S2 - 30 min / S4 50% ED -1200 c/h				
Ambient temperature (°C)	-20°C to +80°C (S2) / -20°C to +60°C (S4)				
Motor protection	Thermo switch ²				
Overtoltage category	II				

* 24 Volt - 115 Volt disponibile su richiesta
 * 24 Volt - 115 Volt available on request
 * 24 Volt - 115 Volt erhältlich auf Anfrage
 * 24 Volt - 115 Disponible sur demande
 * 24 Volt - 115 Volt под заказ

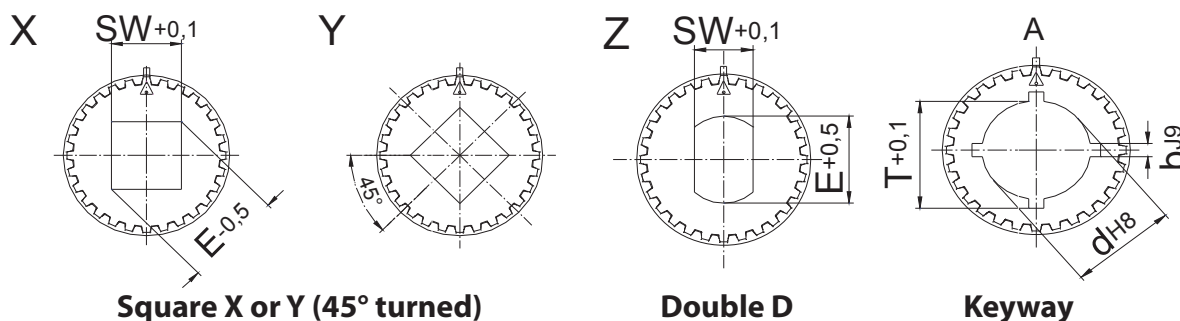
¹ 500 Nm modulating torque

² Thermo switch must be wired externally at 400 VAC 3~

Mounting position



Drive bush

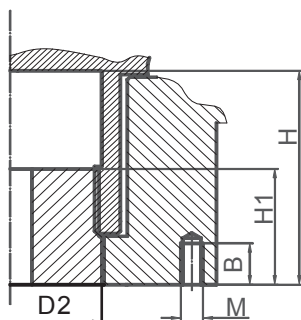


Square X or Y							
SW (mm)	10	11	12	14	16	17	22

Double D				
SW (mm)	9	11	14	17
E (mm)	12.1	14.1	18.1	22.2

Keyway (DIN 6885/1-J9)										
d (mm)	10	12	14	16	18	20	22	23	24	25
b (mm)	3	4	5	5	6	6	6	8	8	8

ISO Flange



	ISO 5211	F12	F14
D2	66	66	66
H	80	80	80
h1	48	48	48
M	M12	M16	M16
B	18	24	24

Electric wiring diagram

230,115,24 VAC 1 ~

24 VDC

400 VAC

