

Valvola termostaticabile dritta con cappello, attacco tubo ferro, senza bocchettone, nichelato. Per IVR-INOX.

straight thermostatic valve with plastic cap, iron pipe connection, without tail piece, nickel plated. For IVR-INOX.

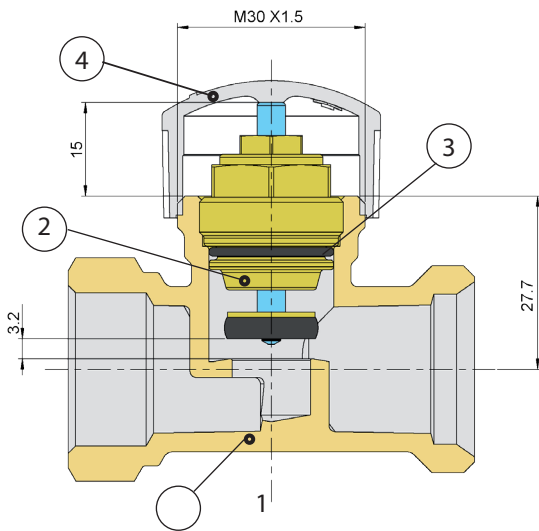
Thermostatventil mit gerader Verschraubung und Einstellkappe, ohne Stutzen, vernickelt. Für Verteiler IVR-INOX.

Vanne thermostatizable avec chapeau de réglage, fixation tube fer, sans raccord, nickelée. Pour IVR-INOX.

Прямой никелированный термостатический клапан с пластиковым колпачком, соединение для стальной трубы, без муфты. Для IVR-INOX.



IVR 566C



N	DENOMINAZIONE PART NAME	MATERIALE MATERIAL	TRATTAMENTO TREATMENT
1	Corpo - Body	Ottone - Brass CW 617N - UNI EN 12165/98	Nichelato Nickel plated
2	Vitone - Bonnet		
3	O Ring	EPDM	
4	Volantino M30x1.5 Handle M30X1.5	ABS	Ra1 9010

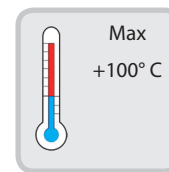


DIAGRAMMA PERDITE DI CARICO FLOW AND PRESSURE DROP

IVR 566C 3/4" QmN 330

