


# IVR 360



 Valvola automatica di sfogo aria

 Automatic air-vent

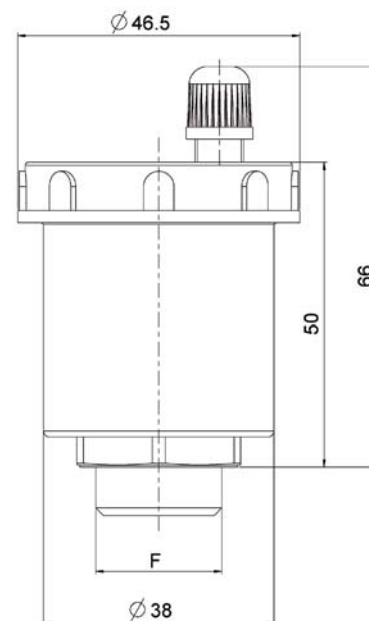
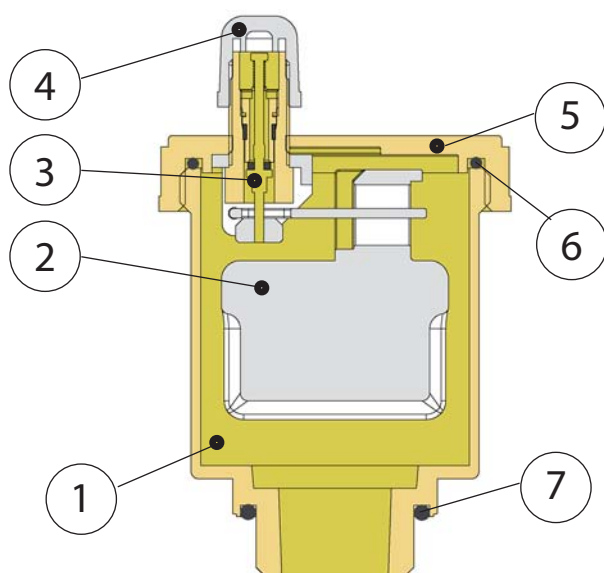
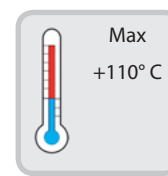
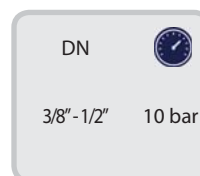
 Automatisches Entlüftungsventil

 Vanne automatique purgeur d'air chromé

 Автоматический воздухоотводчик



N	DENOMINAZIONE PART NAME	MATERIALE MATERIAL	TRATTAMENTO TREATMENT
1	Corpo - Body	Ottone - Brass CW 617N - UNI EN 12165/98	Nichelato Nickel plated
2	Galleggiante - floating	Politene - polythene	
3	Otturatore - shutter		
4	Tappo- Plug	Polipropilene - polypropylene	
5	Coperchio - Cover	Ottone - Brass CW 617N - UNI EN 12165/98	Nichelato Nickel plated
6	O Ring	NBR	
7	O Ring	NBR	



Size	Code	F
3/8"	136003001	G3/8"
1/2"	136005001	G1/2"