

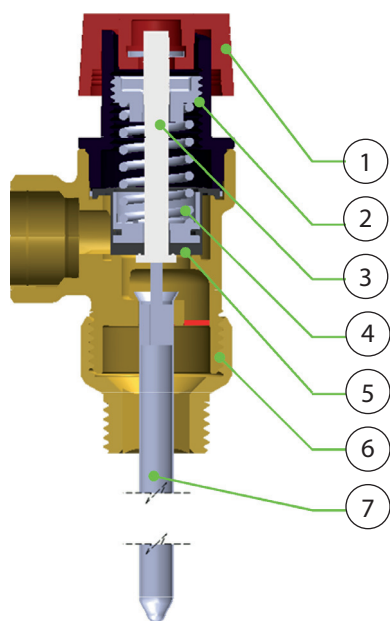
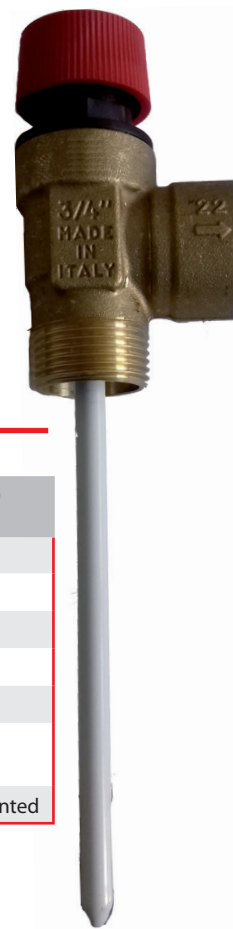
Valvola di sicurezza doppia funzione - temperatura e pressione attacchi filettati MF

Double-use safety valve - temperature and pressure M/F

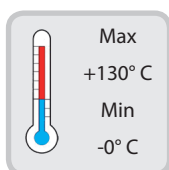
Sicherheitsventil mit doppeltem Einsatz - Temperatur und Druck, AG/IG

Soupape de sécurité avec double fonction - température et pression, M/F

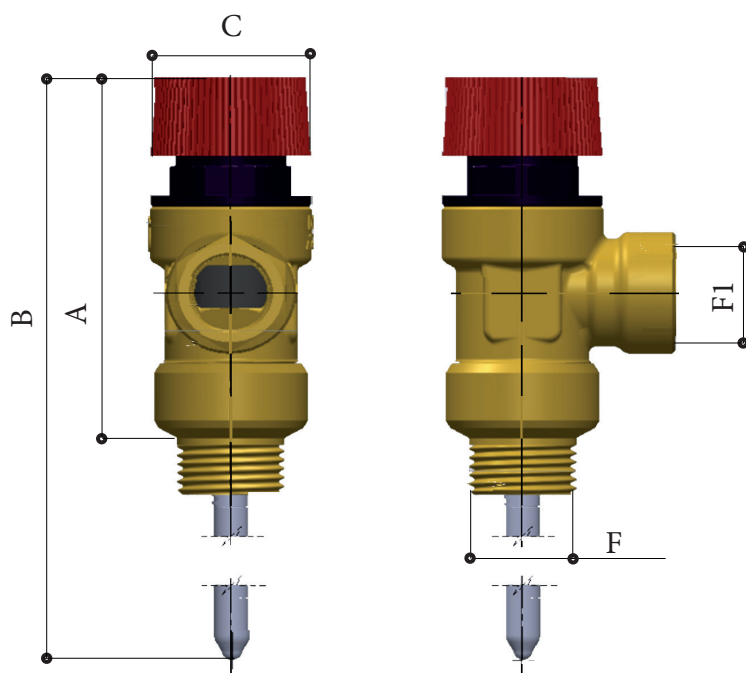
Двухфункциональный предохранительный клапан (температура и давление), резьбовые соединения H/B



N	DENOMINAZIONE PART NAME	MATERIALE MATERIAL	TRATTAMENTO TREATMENT
1	Volantino - Handwheel	ABS	
2	Cricchetto	PA 66	
3	Asta - Stem	Acciaio - Steel AISI 304	
4	Molla - Spring	Acciaio - Steel AISI 302	
5	Membrana - Membrane	EPDM	
6	Corpo - Body	Ottone - Brass CW 602N - UNI EN 12165	
7	Sensore - Sensor	Rame - Copper	Verniciato - Painted



Temperatura d'intervento 95° - intervention temperature 95°



Size	Code	F	F1	A	B	C
1/2"x1/2"	134705053	1/2"	1/2"	55	182	32
1/2"x1/2"	134705054	1/2"	1/2"	55	182	32
1/2"x1/2"	134705056	1/2"	1/2"	55	182	32
1/2"x1/2"	134705057	1/2"	1/2"	55	182	32
1/2"x1/2"	134705058	1/2"	1/2"	55	182	32
3/4"x1/2"	134707053	3/4"	1/2"	58	182	32
3/4"x1/2"	134707054	3/4"	1/2"	58	182	32
3/4"x1/2"	134707056	3/4"	1/2"	58	182	32
3/4"x1/2"	134707057	3/4"	1/2"	58	182	32
3/4"x1/2"	134707058	3/4"	1/2"	58	182	32
3/4"x3/4"	134707073	3/4"	3/4"	66	191	32
3/4"x3/4"	134707074	3/4"	3/4"	66	191	32
3/4"x3/4"	134707076	3/4"	3/4"	66	191	32
3/4"x3/4"	134707077	3/4"	3/4"	66	191	32
3/4"x3/4"	134707078	3/4"	3/4"	66	191	32