

FARFALLA TIPO LUG - IVR 175



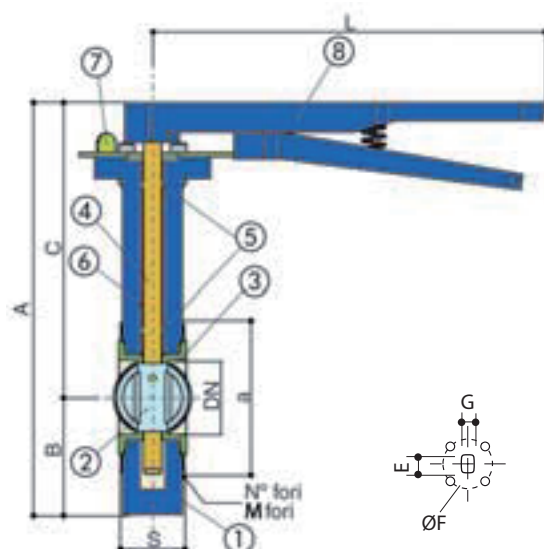
Valvola farfalla tipo Lug.
Butterfly valve Lug type.
 Vanne à papillon type Lug.
Absperrklappe.

IMPIEGHI: le valvole a farfalla tipo Lug IVR 175 sono adatte per impianti idrici, riscaldamento, condizionamento, applicazioni industriali ed agricole, aria compressa.

APPLICATIONS: the butterfly valves Lug type IVR 175 are suitable for use in water supply, heating, air conditioning, industrial, irrigation and compressed air system.



N. N.	DENOMINAZIONE PART NAME	MATERIALE MATERIAL	TRATTAMENTO TREATMENT
1	Corpo - Body	Ghisa GJL250 - Cast iron GJL250	Verniciato - Painted
2	Otturatore - Disc	Ghisa GJL250 - Cast iron GJL250	Nichelato - Nickel plated
3	Guarnizione - Seat	EPDM	
4	Asta - Stem	AISI 416	
5	O-ring - O-ring	EPDM	
6	Boccola - Bushing	Ottone - Brass	
7	Divisore - Retainer	Acciaio - Steel	
8	Leva - Lever	Acciaio - Steel	Verniciato - Painted








DN	40	50	65	80	100	125	150
A	252	273	296	308	346	372	397
B	70	80	89	95	114	127	139
C	182	193	207	213	232	245	258
S	35	45	48	49	55	58	59
L	165	165	265	265	265	265	265
a	110	112	145	160	180	210	240
N° fori	4	4	4	8	8	8	8
M fori	M16	M16	M16	M16	M16	M16	M20
Ø F	7	7	7	7	10	10	10
E	12	12	12	12	14	18	18
G	9	9	9	9	11	14	14
FL ISO	F05	F05	F05	F05	F07	F07	F07

Dimensioni in mm - Dimensions in mm

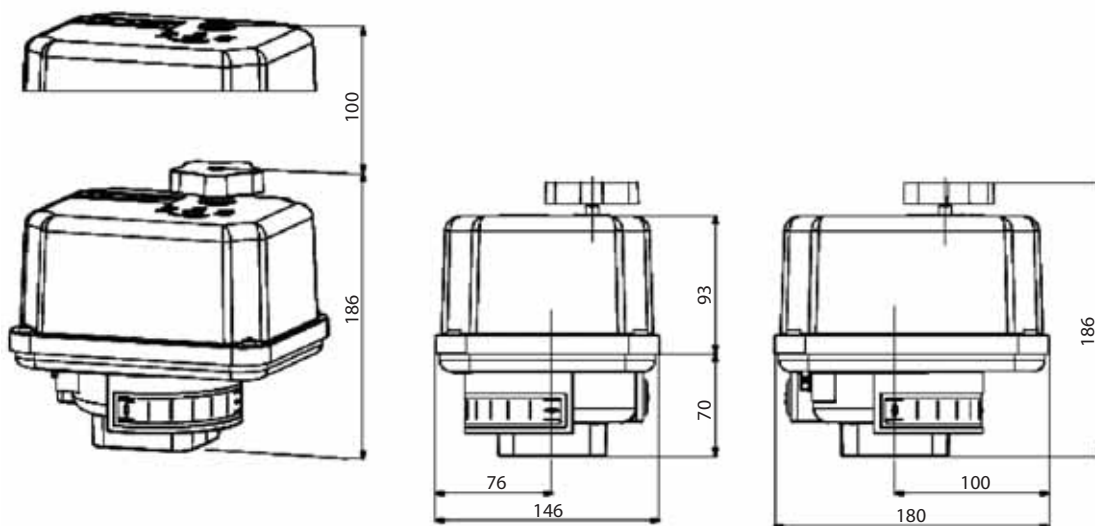
DATI TECNICI - TECHNICAL DATA	
Pressione massima di esercizio Max working pressure	16 bar
Temperatura massima di esercizio Max working temperature	-10°C + 120°C

ATTUATORI ELETTRICI - IVR 272 m - IVR 272 t



-  IVR 272 m - Attuatori elettrici 1/4 di giro - Monofase c.a.
IVR 272 t - Attuatori elettrici 1/4 di giro - Trifase c.a.
-  IVR 272 m - Electrical quarter-turn actuators - 1-phase a.c.
IVR 272 t - Electrical quarter-turn actuators - 3-phase a.c.
-  IVR 272 m - Elektrische Antriebe mit 1/4-Umdrehung - einphasiger Wechselstrom
IVR 272 t - Elektrische Antriebe mit 1/4-Umdrehung - dreiphasiger Wechselstrom
-  IVR 272 m - Actuateurs électriques à 1/4 de tour - Monophasé c.a.
IVR 272 t - Actuateurs électriques à 1/4 de tour - Triphasé c.a.
-  IVR 272 m - Электроприводы на 1/4 оборота – однофазные - переменный ток
IVR 272 t - Электроприводы на 1/4 оборота – трёхфазные - переменный ток

MH-R25/12 MH-R-E25/17



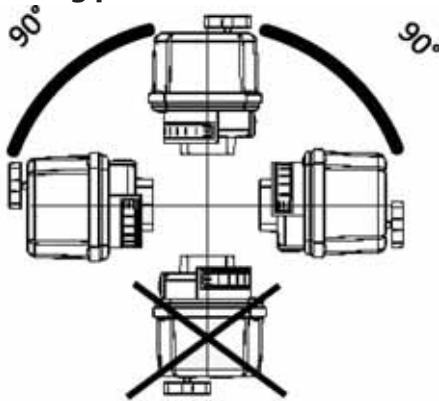
Operating time/90°	17 s (50Hz) - 14 s (60Hz)			9 s
Power supply (V)	230 VAC 1~	*115 VAC 1~	*24 VAC	*24 VDC
Frequency (Hz)	50 / 60	50 / 60	50 / 60	-
Nominal Current (A)	0.08	0.15	0.8	0.6
Max current (A)	0.09	0.18	0.96	1.2
Power consumption (W)	17 / 23	18 / 20	18 / 23	15
Max. torque	25 Nm			
Flange	F04/F07 or F05/F07 according to ISO 5211			
Actuator	Class C according to EN 15714-2			
Standard equipment				
Duty cycle IEC 60034-1.8	S2 - 20 min, S3/S4 1200 c/h - 25% ED at 25°C			
Ambient temperature (°C)	-25°C to + 70°C			
Motor protection	Thermo switch			Multifuse
Add'l position switches 2WE	2 additional position switches included (changeover contact) ampacity: 1 A inductive, 3 A ohmic; max. voltage: 250 VAC			
Drive bush	17 mm double square			
Overvoltage category	II			

- * 24 Volt - 115 Volt disponibile su richiesta
- * 24 Volt - 115 Volt available on request
- * 24 Volt - 115 Volt erhältlich auf Anfrage
- * 24 Volt - 115 Volt Disponible sur demande
- * 24 Volt - 115 Volt под заказ

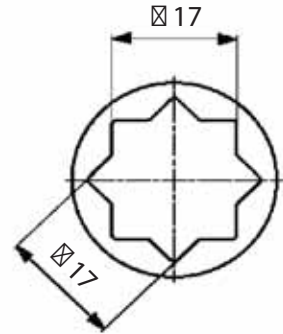
Ed. 12/16

Tutte le caratteristiche tecniche dei prodotti sono soggette a modifiche senza preavviso - All product's technical specifications are subject to modification without prior notice

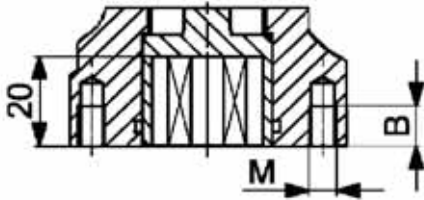
Mounting position



Double square drive



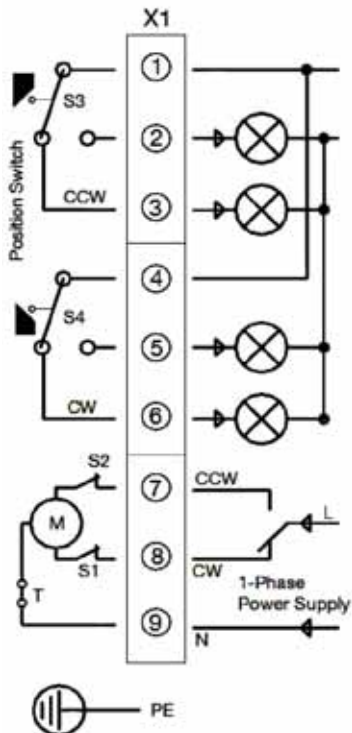
ISO Flange



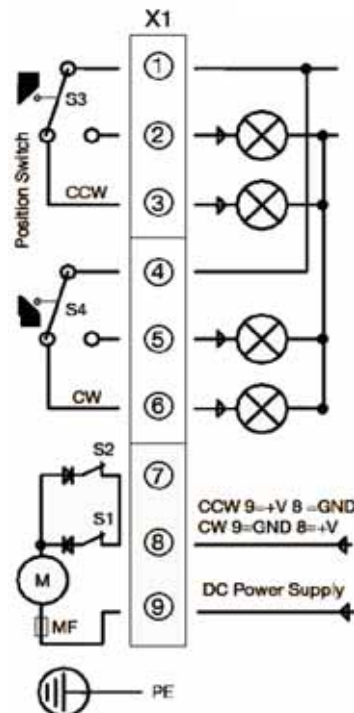
ISO 5211	F04/F07	F05/F07
M	M 5 / M 8	M 6 / M 8
B	8 / 12 mm	9 / 12 mm

Electric wiring diagram

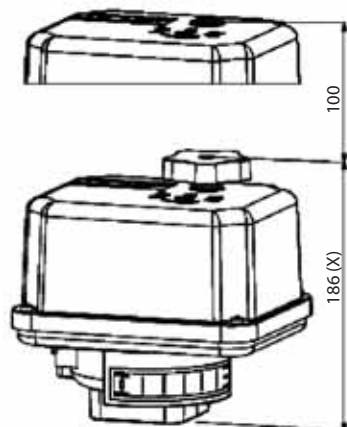
230,115,24 VAC 1 ~



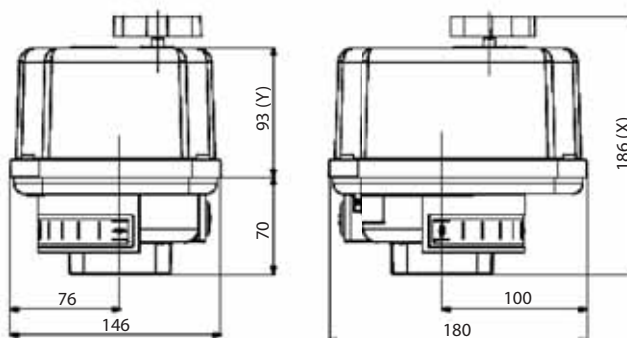
24 VDC



MH-R45/30 MH-R45/5 MH-R-E50/33



MH-R45/5 - 6 s : X=251 Y=123



Operating time/90° 6 s (50Hz) - 5 s (60Hz)

Power supply (V)	230 VAC 1~	*115 VAC 1~	*24 VAC	400 V 3~	
Frequency (Hz)	50 / 60	50 / 60	50 / 60	50 / 60	
Nominal Current (A)	0.17	0.34	1.6	0.08	
Max current (A)	0.2	0.41	1.9	0.13	
Power consumption (W)	39	39	39	55	

Operating time/90° 33 s (50Hz) - 28 s (60Hz)

16 s

Power supply (V)	230 VAC 1~	*115 VAC 1~	*24 VAC		*24 VDC
Frequency (Hz)	50 / 60	50 / 60	50 / 60		-
Nominal Current (A)	0.05	0.13	0.6		0.6
Max current (A)	0.06	0.15	0.73		1.2
Power consumption (W)	13	15	15		15

Operating time/90° 80 s (50Hz) - 67 s (60Hz)

Power supply (V)	230 VAC 1~	*115 VAC 1~	*24 VAC		
Frequency (Hz)	50 / 60	50 / 60	50 / 60		
Nominal Current (A)	0.03	0.07	0.33		
Max current (A)	0.04	0.08	0.4		
Power consumption (W)	8	8	8		

Max. torque

50 Nm

Flange

F04/F07 or F05/F07 according to ISO 5211

Actuator

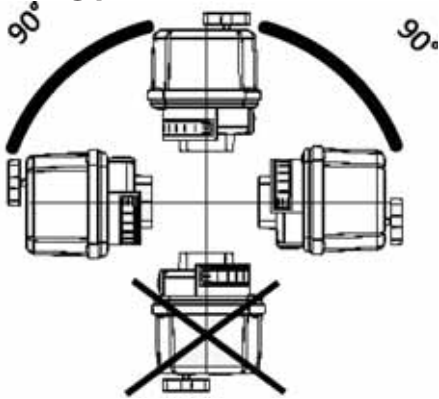
Class C according to EN 15714-2

Standard equipment

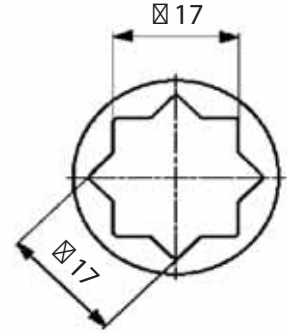
Duty cycle IEC 60034-1.8	S2 - 20 min, S3/S4 1200 c/h - 25% ED at 25°C	
Ambient temperature (°C)	-25°C to + 70°C	
Motor protection	Thermo switch	Multifuse
Add'l position switches 2WE	2 additional position switches included (changeover contact) ampacity: 1 A inductive, 3 A ohmic; max. voltage: 250 VAC	
Drive bush	17 mm double square	
Overvoltage category	II	

- * 24 Volt - 115 Volt disponibile su richiesta
- * 24 Volt - 115 Volt available on request
- * 24 Volt - 115 Volt erhältlich auf Anfrage
- * 24 Volt - 115 Volt Disponible sur demande
- * 24 Volt - 115 Volt под заказ

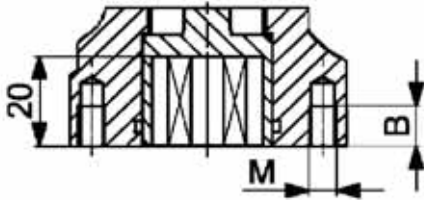
Mounting position



Double square drive



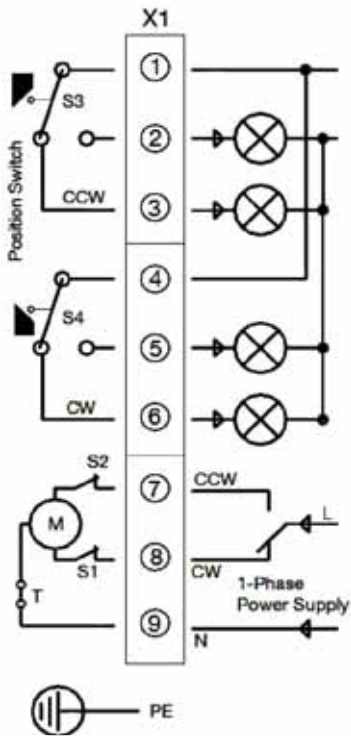
ISO Flange



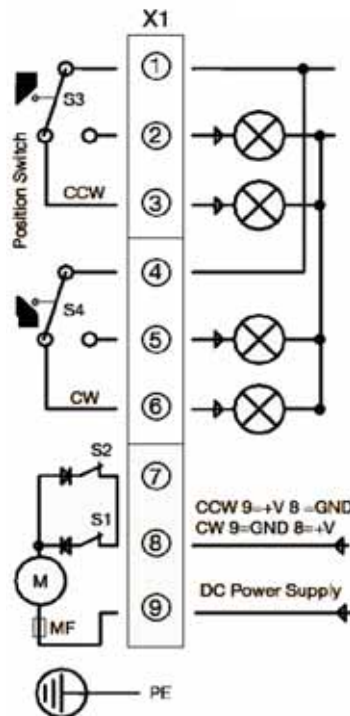
ISO 5211	F04/F07	F05/F07
M	M 5 / M 8	M 6 / M 8
B	8 / 12 mm	9 / 12 mm

Electric wiring diagram

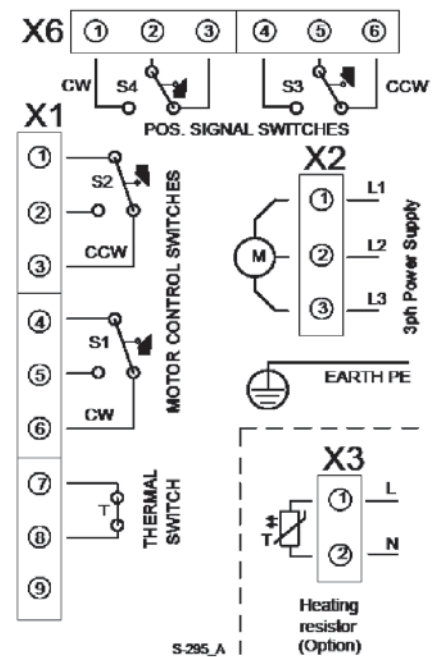
230,115,24 VAC 1 ~



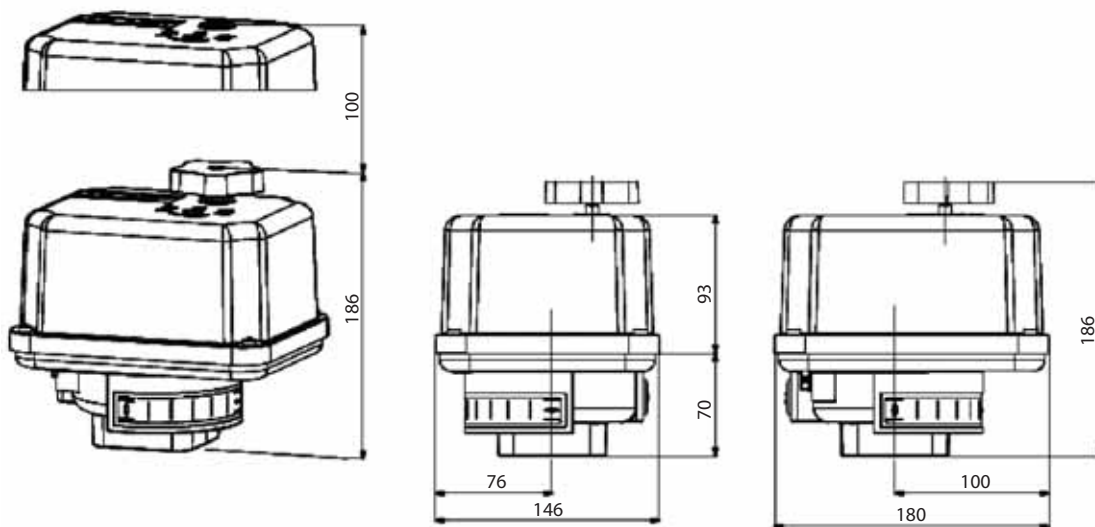
24 VDC



400 VAC



MH-Q52/22
MH-Q67/32
MH-Q77/60

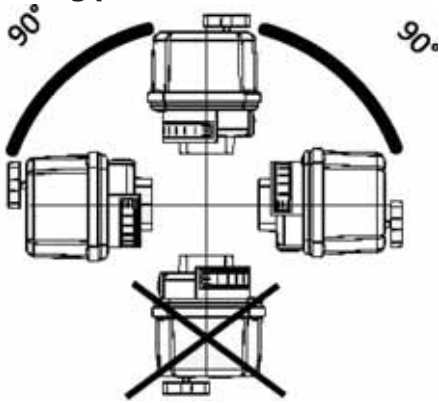


Operating time/90°	23 s (50Hz) - 19 s (60Hz)				32 s
Power supply (V)	230 VAC 1~	*115 VAC 1~	*24 VAC 1~	400 VAC 3~	*24 VDC
Frequency (Hz)	50 / 60	50 / 60	50 / 60	50 / 60	-
Nominal Current (A)	0.12	0.23	1.1	0.065 ¹	1.3
Max current (A)	0.14	0.28	1.3	0.075 ¹	2.5
Power consumption (W)	27	27	27	45	31
Max. torque	100 Nm				
Flange	F05 or F07 according to ISO 5211				
Actuator	Class C according to EN 15714-2				
Standard equipment					
Duty cycle IEC 60034-1.8	S2 - 30 min, S3/S4 1200 c/h - 25% ED at 25°C				
Ambient temperature (°C)	-25°C to + 70°C				
Motor protection	Thermo switch				Multifuse
Add'l position switches 2WE	2 additional position switches included (changeover contact) ampacity: 1 A inductive, 3 A ohmic; max. voltage: 250 VAC				
Drive bush	22 mm double square				
Overvoltage category	II				

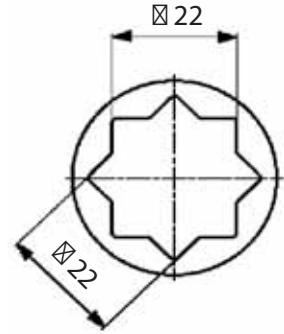
* 24 Volt - 115 Volt disponibile su richiesta
 * 24 Volt - 115 Volt available on request
 * 24 Volt - 115 Volt erhältlich auf Anfrage
 * 24 Volt - 115 Disponible sur demande
 * 24 Volt - 115 Volt под заказ

¹ per phase

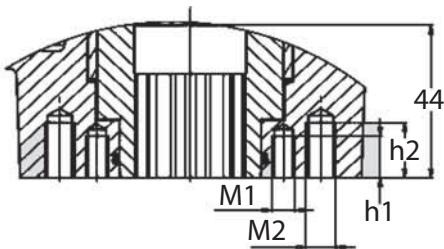
Mounting position



Double square drive



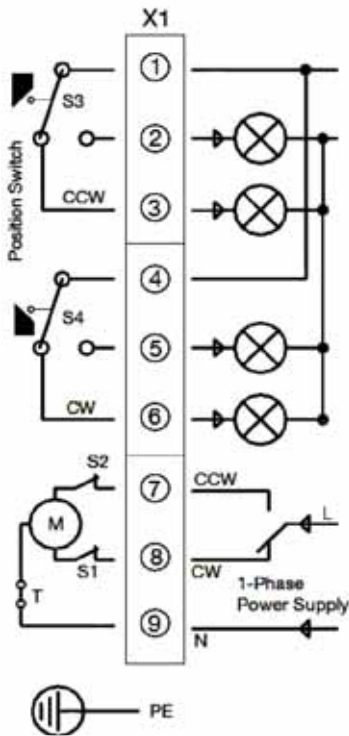
ISO Flange



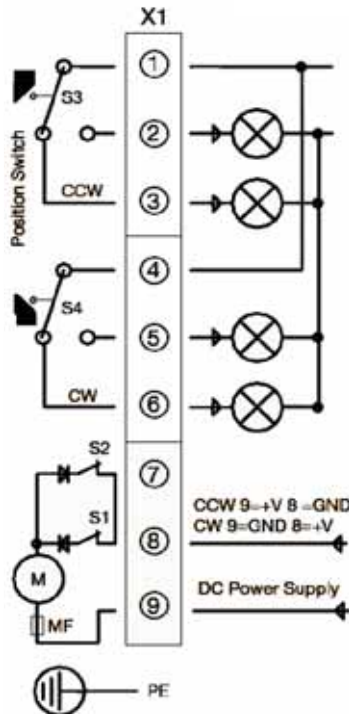
ISO 5211	F05	F07
M1	M6	-
M2	-	M8
h1	12	-
h2	-	16

Electric wiring diagram

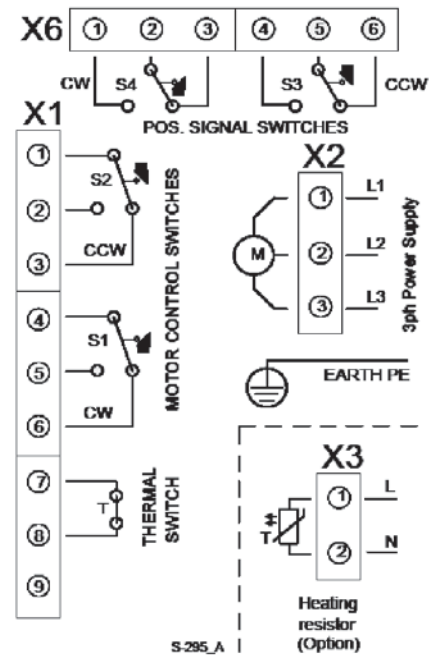
230,115,24 VAC 1 ~



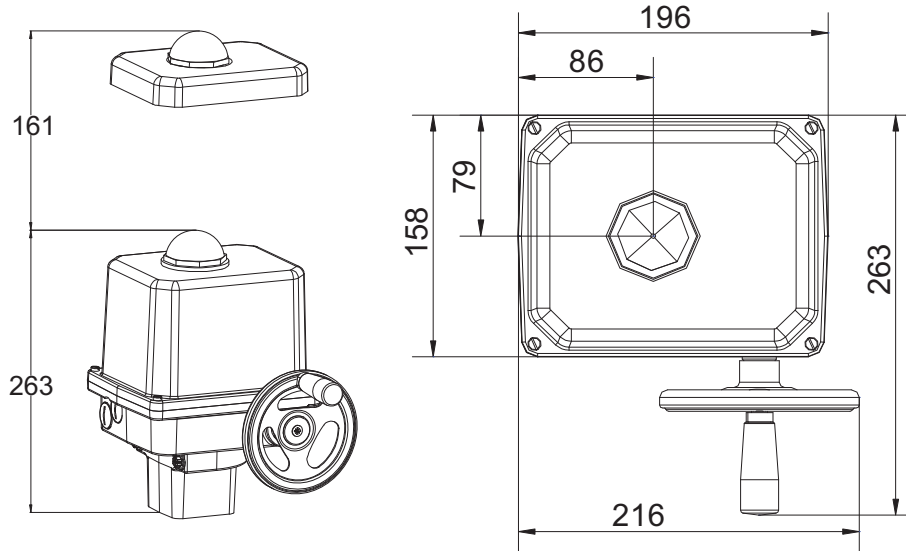
24 VDC



400 VAC



MH-Q102/32



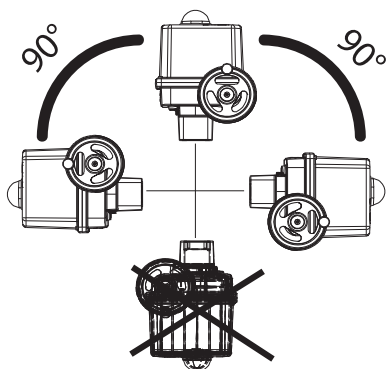
Operating time/90°	32 s (50Hz) - 27 s (60Hz)		32 s		
Power supply (V)	230 VAC 1~	*115 VAC 1~	*24 VAC 1~	400 VAC 3~	*24 VDC
Frequency (Hz)	50 / 60	50 / 60	50 / 60	50 / 60	-
Rated Current (A)	0.27/0.23	0.57/0.05	2.7/2.3	0.12	1.3
Max current (A)	0.33/0.28	0.68/0.60	3.3/2.8	0.15	2.5
Power consumption (W)	62/53	64/55	62/52	51	31
Switching torque ¹	130 Nm				
Flange	F05 + F07 according to ISO 5211				
Modulating actuator	Class C according to EN 15714-2				
Standard equipment					
Duty cycle IEC 60034-1	S2 - 30 min / S4 50% ED - 1200 c/h				
Ambient temperature (°C)	-20°C to +80°C (S2) / -20°C to +60°C (S4)				
Motor protection	Thermo switch ²				Multifuse
Overvoltage category	II				

* 24 Volt - 115 Volt disponibile su richiesta
 * 24 Volt - 115 Volt available on request
 * 24 Volt - 115 Volt erhältlich auf Anfrage
 * 24 Volt - 115 Disponible sur demande
 * 24 Volt - 115 Volt под заказ

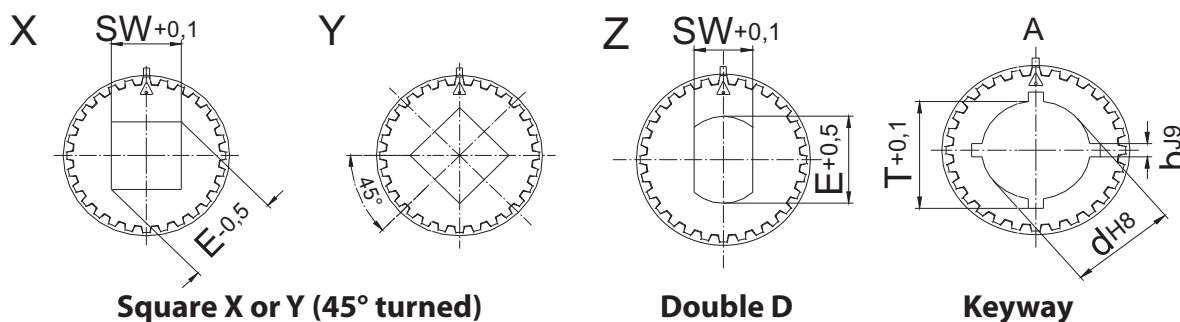
¹ 65 Nm modulating torque

² Thermo switch must be wired externally at 400 VAC 3~

Mounting position



Drive bush



Square X or Y (45° turned)

Double D

Keyway

Square X or Y

SW (mm)	10	11	12	14	16	17	22
---------	----	----	----	----	----	----	----

Double D

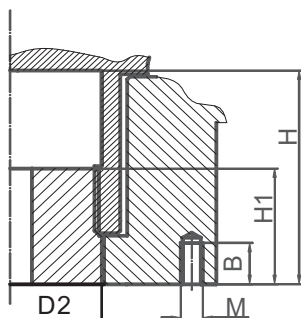
SW (mm)	9	11	14	17
E (mm)	12.1	14.1	18.1	22.2

Keyway

(DIN 6885/1-J9)

d (mm)	10	12	14	16	18	20	22	23	24	25
b (mm)	3	4	5	5	6	6	6	8	8	8

ISO Flange



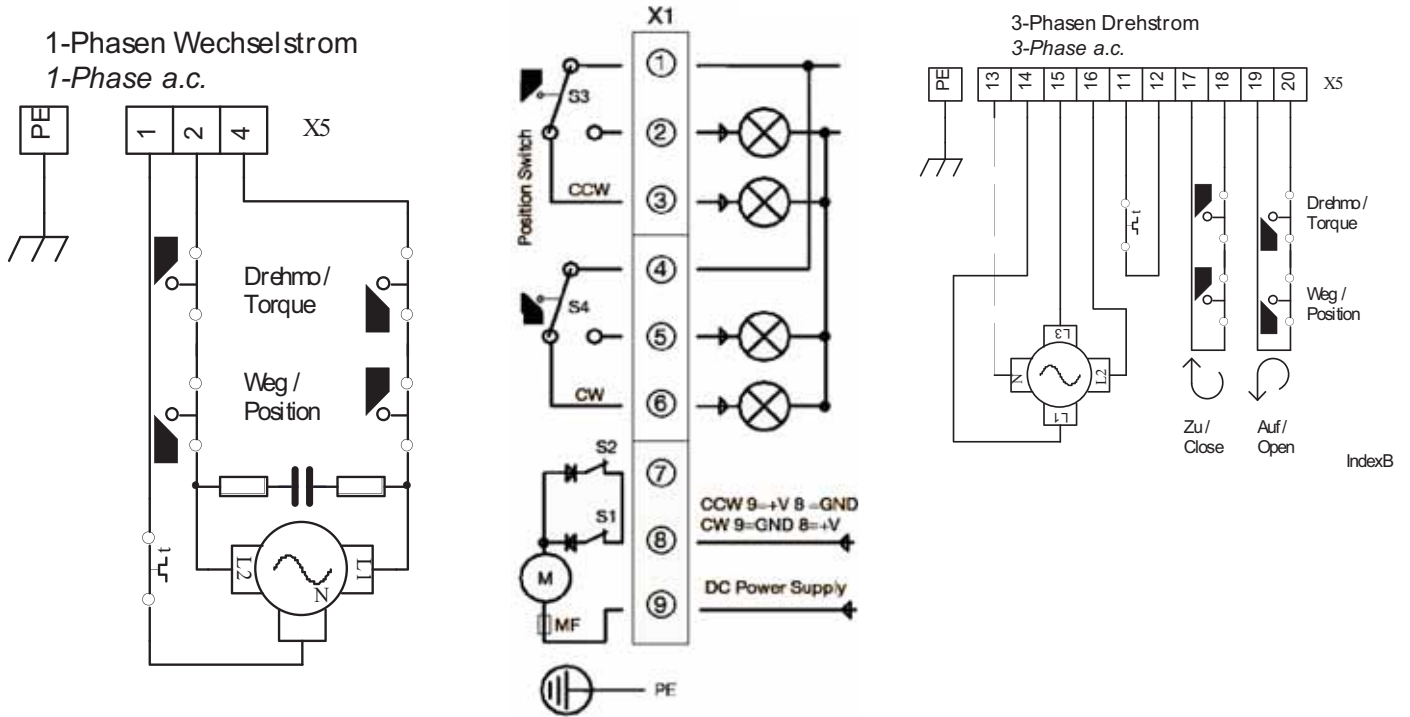
ISO 5211	F05	F07
D2	38	44
H	44	44
h1	35	35
M	M6	M8
B	12	16

Electric wiring diagram

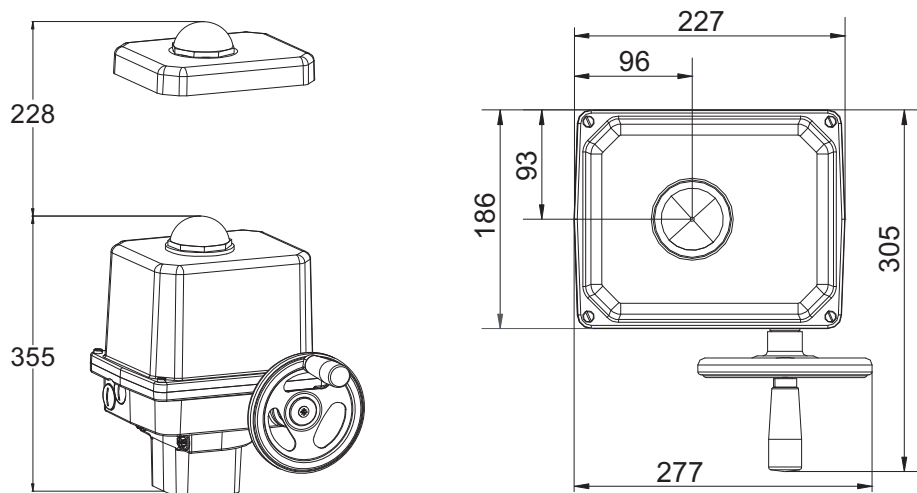
230,115,24 VAC 1 ~

24 VDC

400 VAC



MH-Q202/69



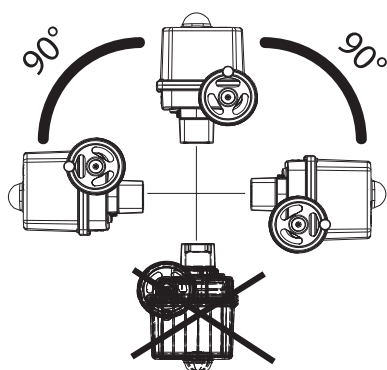
Operating time/90°	69 s (50Hz) - 57 s (60Hz)				60 s
Power supply (V)	230 VAC 1~	*115 VAC 1~	*24 VAC 1~	400 VAC 3~	*24 VDC
Frequency (Hz)	50 / 60	50 / 60	50 / 60	50 / 60	-
Rated Current (A)	0.27	0.57	2.7	0.12	1.3
Max current (A)	0.33	0.68	3.3	0.15	2.5
Power consumption (W)	62	64	64	51	30
Switching torque ¹	250 Nm				
Flange	F07 + F10 according to ISO 5211				
Modulating actuator	Class C according to EN 15714-2				
Standard equipment					
Duty cycle IEC 60034-1	S2 - 30 min / S4 50% ED - 1200 c/h				
Ambient temperature (°C)	-20°C to +80°C (S2) / -20°C to +60°C (S4)				
Motor protection	Thermo switch ²				Multifuse
Overvoltage category	II				

* 24 Volt - 115 Volt disponibile su richiesta
 * 24 Volt - 115 Volt available on request
 * 24 Volt - 115 Volt erhältlich auf Anfrage
 * 24 Volt - 115 Disponible sur demande
 * 24 Volt - 115 Volt под заказ

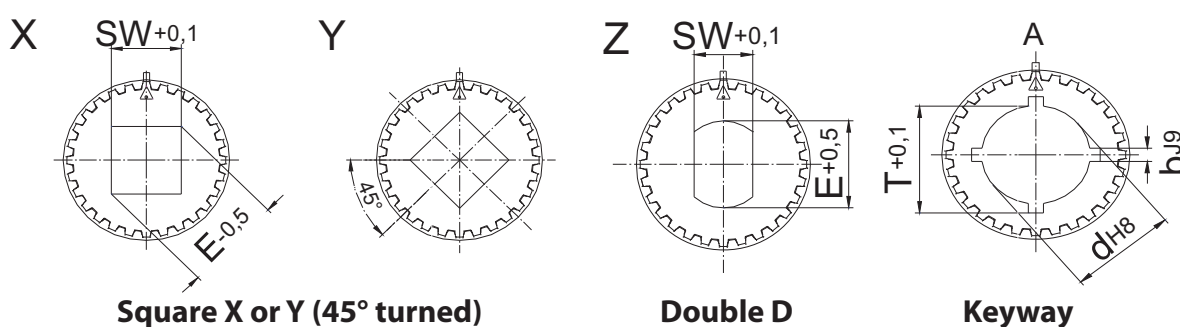
¹ 115 Nm modulating torque

² Thermo switch must be wired externally at 400 VAC 3~

Mounting position



Drive bush



Square X or Y (45° turned)

Double D

Keyway

Square X or Y

SW (mm)	10	11	12	14	16	17	22
---------	----	----	----	----	----	----	----

Double D

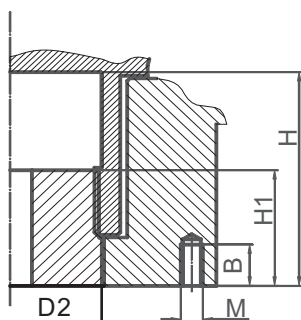
SW (mm)	9	11	14	17
E (mm)	12.1	14.1	18.1	22.2

Keyway

(DIN 6885/1-J9)

d (mm)	10	12	14	16	18	20	22	23	24	25
b (mm)	3	4	5	5	6	6	6	8	8	8

ISO Flange



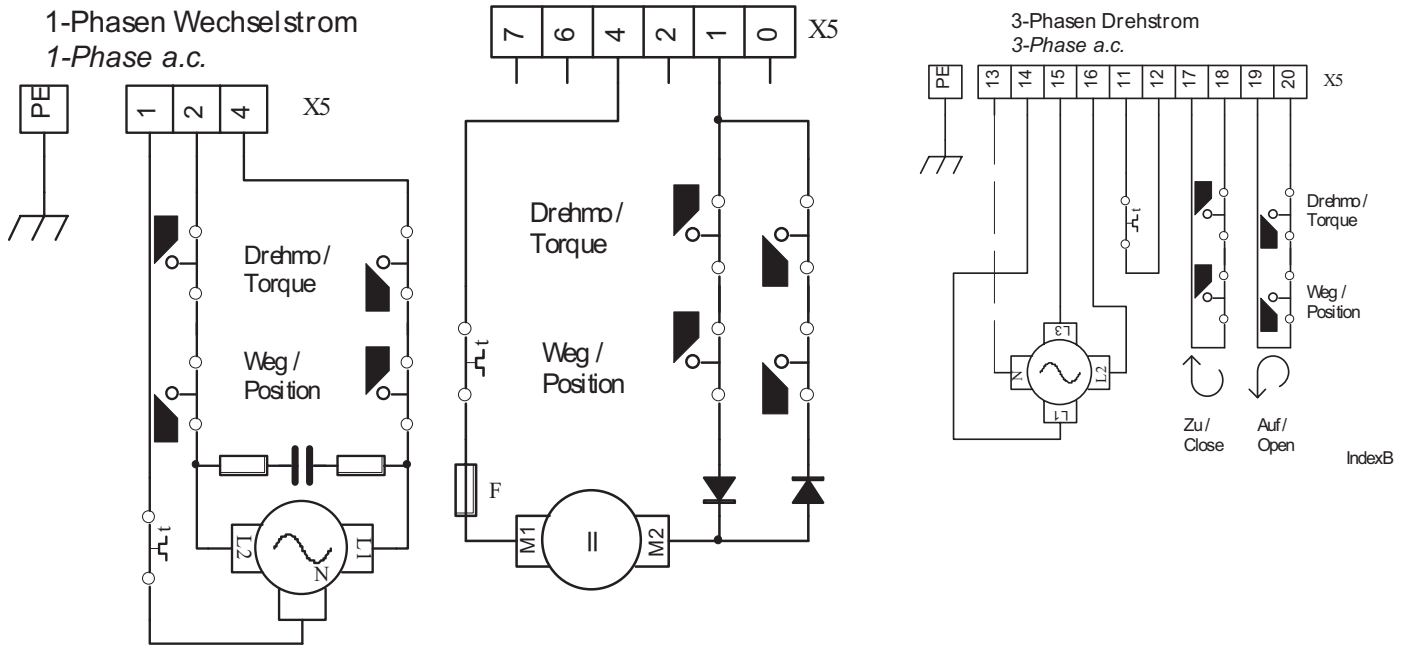
ISO 5211	F07	F10
D2	47	47
H	60	60
h1	35	35
M	M8	M10
B	16	20

Electric wiring diagram

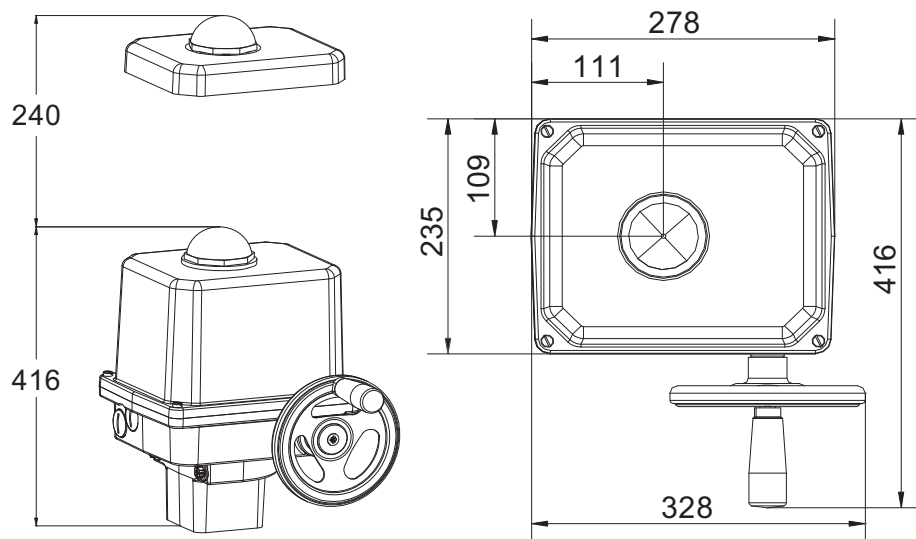
230,115,24 VAC 1 ~

24 VDC

400 VAC



MH-Q502/93



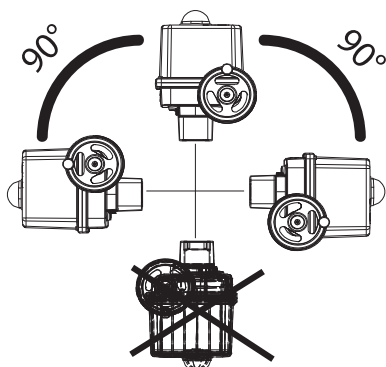
Operating time/90°		93 s (50Hz) - 77 s (60Hz)			
Power supply (V)	230 VAC 1~	*115 VAC 1~	*24 VAC 1~	400 VAC 3~	
Frequency (Hz)	50 / 60	50 / 60	50 / 60	50 / 60	
Rated Current (A)	0.37	0.87	3.5	0.18	
Max current (A)	0.44	1.0	4.2	0.22	
Power consumption (W)	83	98	82	75	
Switching torque ¹	500 Nm				
Flange	F10 or F12 according to ISO 5211				
Modulating actuator	Class C according to EN 15714-2				
Standard equipment					
Duty cycle IEC 60034-1	S2 - 15 min / S4 50% ED -1200 c/h				
Ambient temperature (°C)	-20°C to +80°C (S2) / -20°C to +60°C (S4)				
Motor protection	Thermo switch ²				
Overvoltage category	II				

* 24 Volt - 115 Volt disponibile su richiesta
 * 24 Volt - 115 Volt available on request
 * 24 Volt - 115 Volt erhältlich auf Anfrage
 * 24 Volt - 115 Disponible sur demande
 * 24 Volt - 115 Volt под заказ

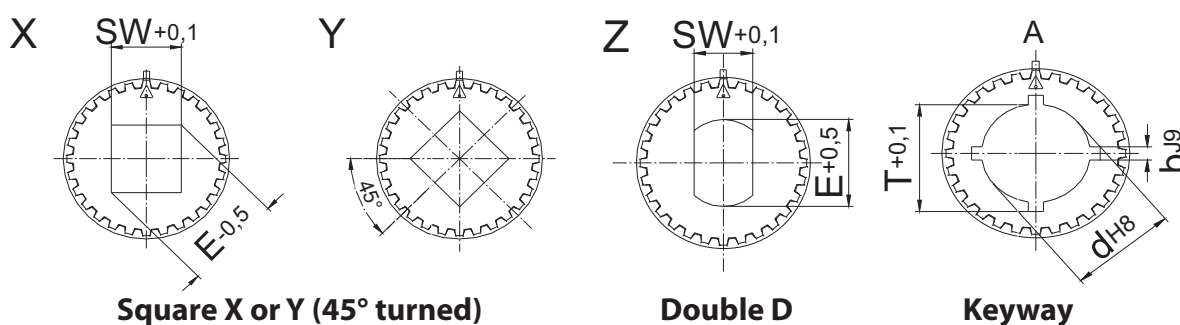
¹ 250 Nm modulating torque

² Thermo switch must be wired externally at 400 VAC 3~

Mounting position



Drive bush

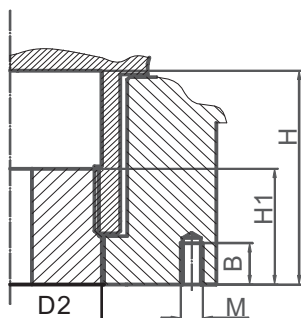


Square X or Y							
SW (mm)	10	11	12	14	16	17	22

Double D				
SW (mm)	9	11	14	17
E (mm)	12.1	14.1	18.1	22.2

Keyway (DIN 6885/1-J9)										
d (mm)	10	12	14	16	18	20	22	23	24	25
b (mm)	3	4	5	5	6	6	6	8	8	8

ISO Flange



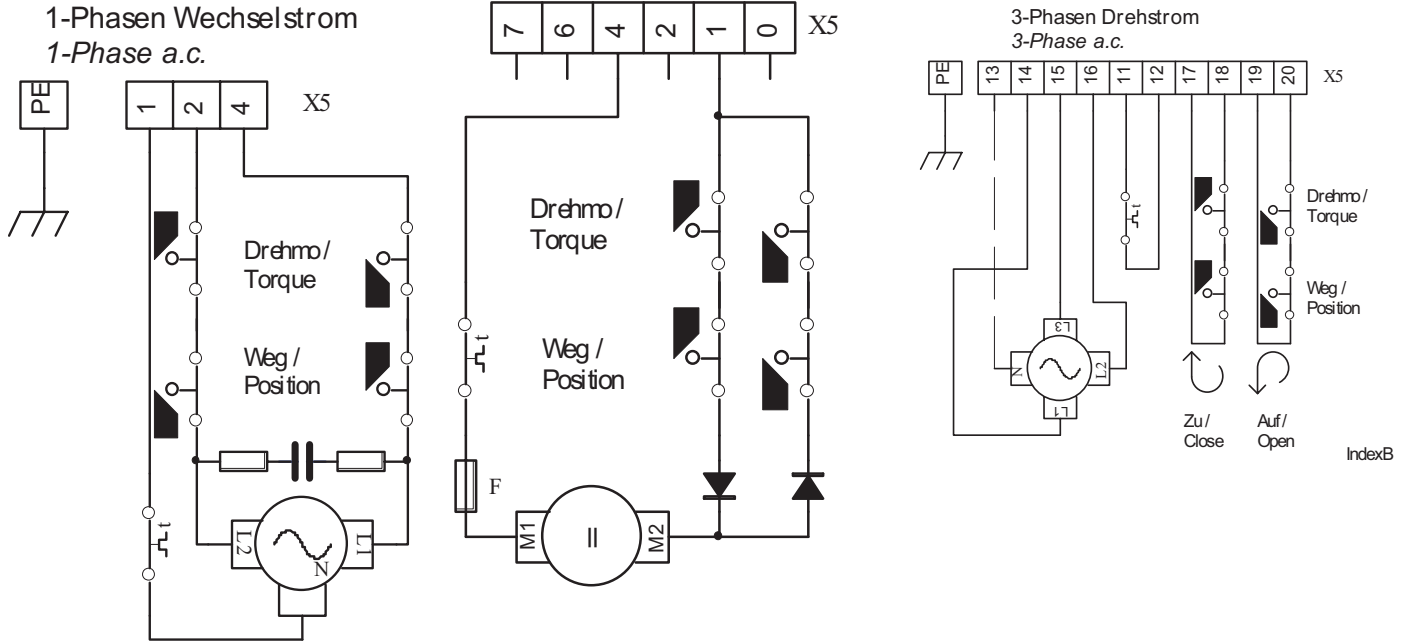
ISO 5211	F10	F12
D2	66	66
H	80	80
h1	48	48
M	M10	M12
B	18	18

Electric wiring diagram

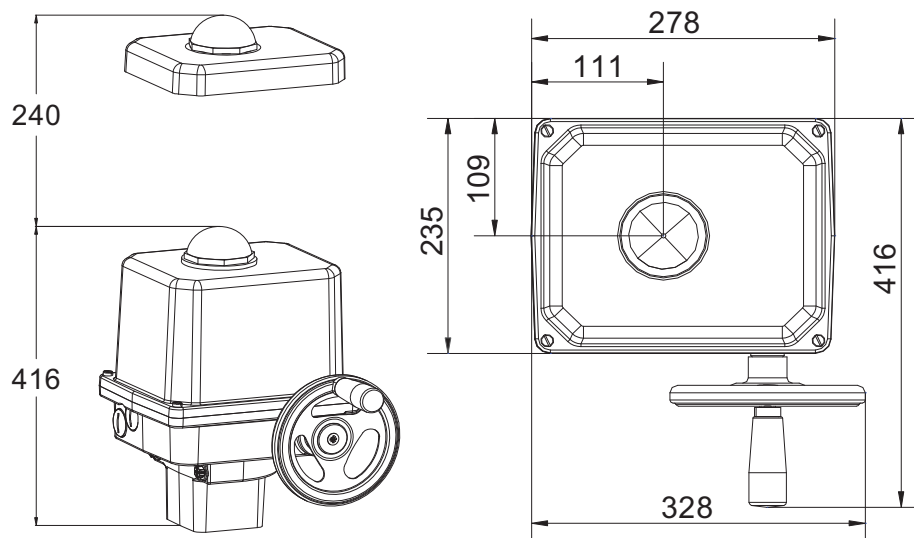
230,115,24 VAC 1 ~

24 VDC

400 VAC



MH-Q702/93



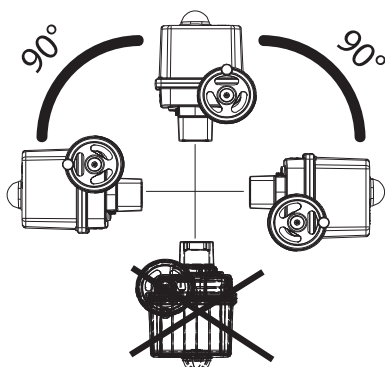
Operating time/90°		93 s (50Hz) - 77 s (60Hz)			
Power supply (V)	230 VAC 1~	*115 VAC 1~	*24 VAC 1~	400 VAC 3~	
Frequency (Hz)	50 / 60	50 / 60	50 / 60	50 / 60	
Rated Current (A)	0.37	0.07	3.5	0.18	
Max current (A)	0.44	0.08	4.2	0.22	
Power consumption (W)	83	98	82	83	
Switching torque ¹	700 Nm				
Flange	F10 or F12 according to ISO 5211				
Modulating actuator	Class C according to EN 15714-2				
Standard equipment					
Duty cycle IEC 60034-1	S2 - 30 min / S4 50% ED -1200 c/h				
Ambient temperature (°C)	-20°C to + 80°C (S2) / -20°C to +60°C (S4)				
Motor protection	Thermo switch ²				
Overvoltage category	II				

* 24 Volt - 115 Volt disponibile su richiesta
 * 24 Volt - 115 Volt available on request
 * 24 Volt - 115 Volt erhältlich auf Anfrage
 * 24 Volt - 115 Disponible sur demande
 * 24 Volt - 115 Volt под заказ

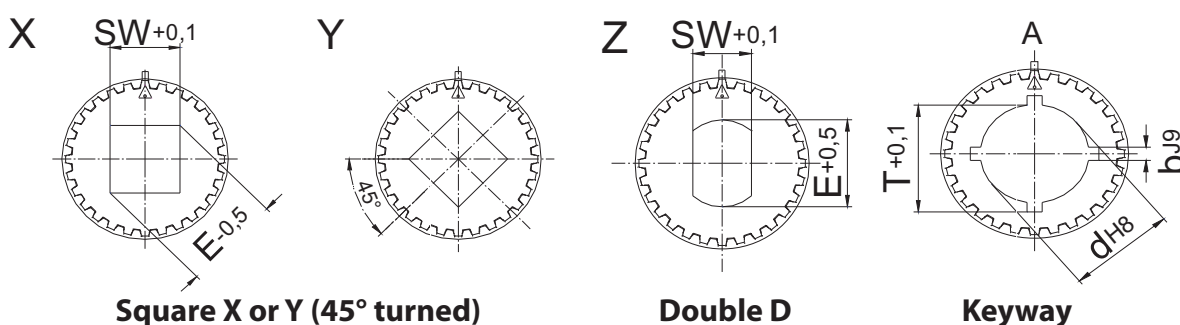
¹ 350 Nm modulating torque

² Thermo switch must be wired externally at 400 VAC 3~

Mounting position



Drive bush



Square X or Y (45° turned)

Double D

Keyway

Square X or Y

SW (mm)	10	11	12	14	16	17	22
---------	----	----	----	----	----	----	----

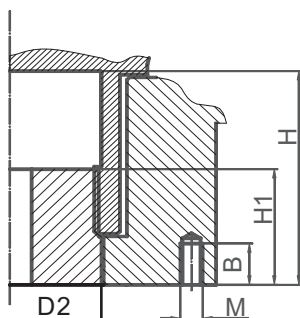
Double D

SW (mm)	9	11	14	17
E (mm)	12.1	14.1	18.1	22.2

Keyway (DIN 6885/1-J9)

d (mm)	10	12	14	16	18	20	22	23	24	25
b (mm)	3	4	5	5	6	6	6	8	8	8

ISO Flange



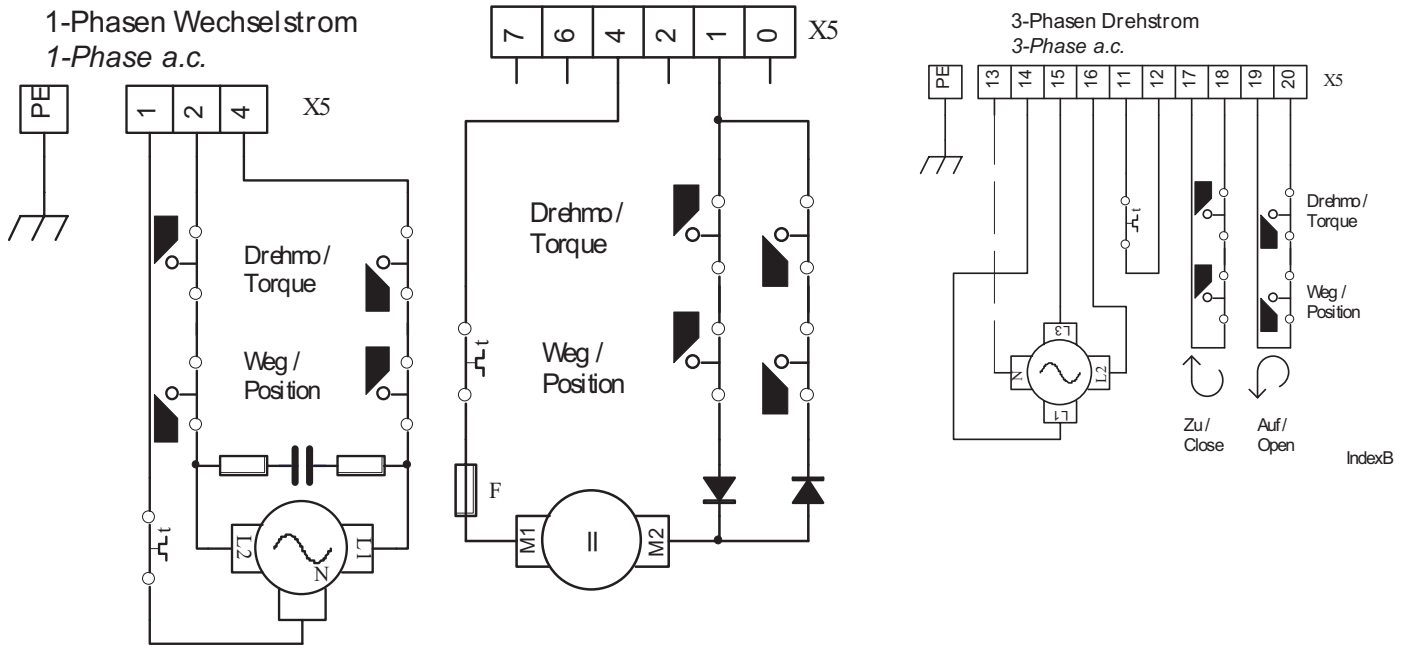
	ISO 5211	F10	F12
D2	66	66	66
H	80	80	80
h1	48	48	48
M	M10	M12	M12
B	18	18	18

Electric wiring diagram

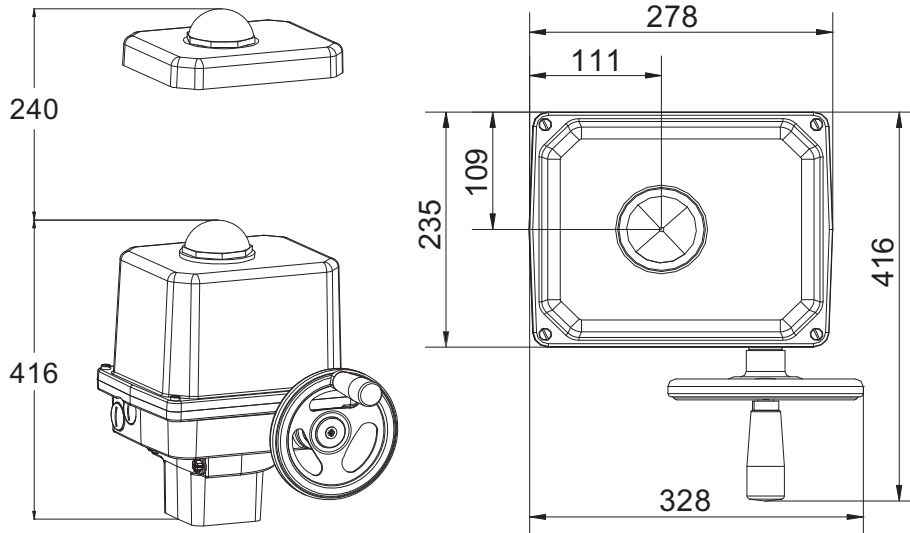
230,115,24 VAC 1 ~

24 VDC

400 VAC



MH-Q1002/93



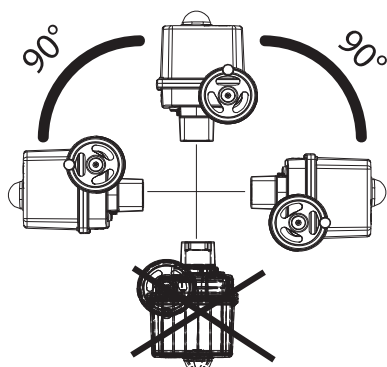
Operating time/90°	93 s (50Hz) - 77 s (60Hz)				120 s
Power supply (V)	230 VAC 1~	*115 VAC 1~	*24 VAC 1~	400 VAC 3~	24 VDC
Frequency (Hz)	50 / 60	50 / 60	50 / 60	50 / 60	-
Rated Current (A)	0.7	1.4	6	0.23	4
Max current (A)	1.3	2.6	8	0.27	8
Power consumption (W)	160	160	140	107	100
Switching torque ¹	1000 Nm				
Flange	F12 or F14 according to ISO 5211				
Modulating actuator	Class C according to EN 15714-2				
Standard equipment					
Duty cycle IEC 60034-1	S2 - 30 min / S4 50% ED -1200 c/h				
Ambient temperature (°C)	-20°C to +80°C (S2) / -20°C to +60°C (S4)				
Motor protection	Thermo switch ²				
Overvoltage category	II				

* 24 Volt - 115 Volt disponibile su richiesta
 * 24 Volt - 115 Volt available on request
 * 24 Volt - 115 Volt erhältlich auf Anfrage
 * 24 Volt - 115 Disponible sur demande
 * 24 Volt - 115 Volt под заказ

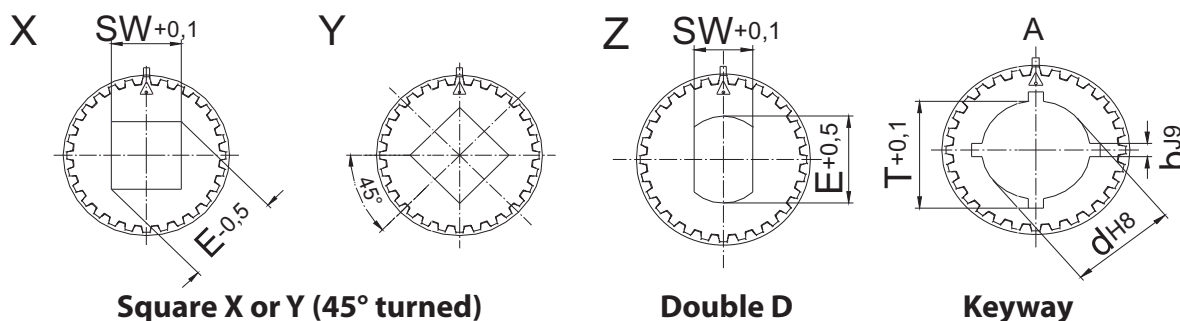
¹ 500 Nm modulating torque

² Thermo switch must be wired externally at 400 VAC 3~

Mounting position



Drive bush



Square X or Y (45° turned)

Double D

Keyway

Square X or Y

SW (mm)	10	11	12	14	16	17	22
---------	----	----	----	----	----	----	----

Double D

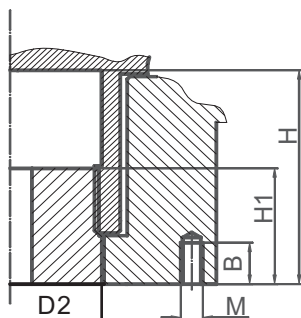
SW (mm)	9	11	14	17
E (mm)	12.1	14.1	18.1	22.2

Keyway

(DIN 6885/1-J9)

d (mm)	10	12	14	16	18	20	22	23	24	25
b (mm)	3	4	5	5	6	6	6	8	8	8

ISO Flange



	ISO 5211	F12	F14
D2	66	66	66
H	80	80	80
h1	48	48	48
M	M12	M16	M16
B	18	24	24

Electric wiring diagram

230,115,24 VAC 1 ~

24 VDC

400 VAC

